

Section 14A

Brakes

Brake

Pads	14-16
Calipers/Parts	2-10
FL Front Brake 1949-71	28-29
Forward Controls	25
GMA Brakes	1-3
Hoses	37
Hydraulic Brake 1958-72	29-31
Shoes 1936-on	28-29

Master Cylinder

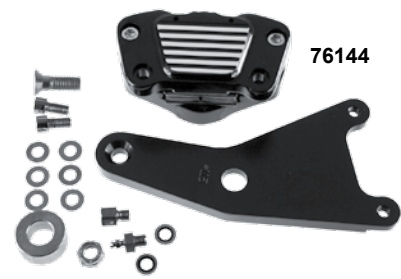
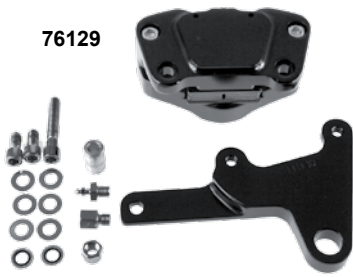
Covers	20
Front	23
Rear	19-20
Piston and Seal Kits	8-9
Rigid Brake	32-36
Russell	11
Rotors	11-12
Steel Lines	40
Tees	24, 40
XL Rear Brake	38-39

GMA Calipers

**Dual
Piston**

GMA 100 Series Dual Piston Caliper Kits

Attractive satin finished billet aluminum calipers deliver outstanding braking power via two 1-5/8" diameter, centerless ground pistons. Kits include bracket and mounting hardware for listed application. Kits requires 5/8" bore master cylinder.



GMA Front FLH 1973-E84 Kit

A direct bolt-on replacement for FLH Wide Glide single disc front ends 1973-E84.

GMA Series	Caliper	Rotor	M/Cyl
GMA-FLH 10	A	10"	5/8"

Finned	Smooth	Finish
7501	-	Satin
76127	76129	Black
76128	76130	Chrome

GMA Rear BT 1973-80 Kit

Fits all 4-speed, square swing arms with 10" rotor, from 1973-80. GMA-100 series with model A calipers.

GMA Series	Caliper	Rotor	M/Cyl
GMA-100	A	10"	5/8"

PCP	Finish
7502	Satin
76132	Black
76133	Chrome

GMA Rear BT 1981-84 Kit

Fits all 4-speed, square swing arms with 11.5" rotor, from 1981-84. Will not fit FLT/ FXR, 1984 FXWG or 1984 FXE models. Use with PC# 7571(GMA R79-F) rotors.

GMA Series	Caliper	Rotor	M/Cyl
GMA-115	A	11.5"	5/8"

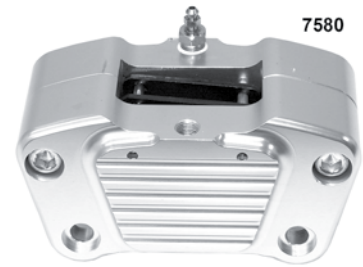
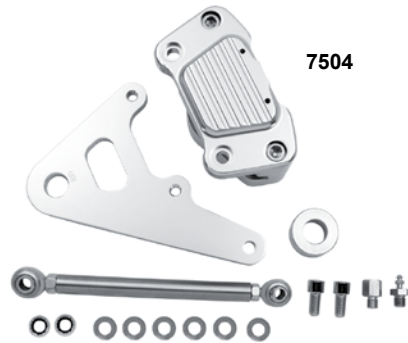
Finned	Smooth	Finish
7503	-	Satin
76144	76146	Black
76145	76147	Chrome

GMA Rigid Caliper Kit

Fits 1936-99. Uses a GMA two piston calipers. Classic chrome finish with 3/4" axle

GMA Series	Caliper	Rotor	M/Cyl
GMA-R10	A	10"	5/8"

Finned	Smooth	Finish
7504	-	Satin
76122	76124	Black
76123	76125	Chrome



GMA Model A Caliper

Replacement caliper for 100 Series caliper kits.

7580

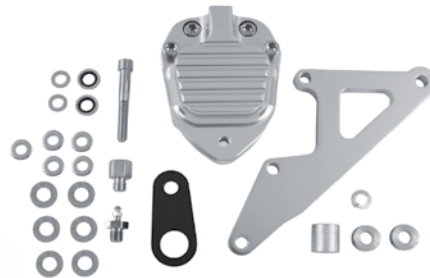
GMA 200 Series Dual Piston Caliper Kits

Compact and stylish two piston calipers deliver outstanding braking power. Satin finished billet aluminum calipers kit includes bracket and mounting hardware for listed application.

GMA FX, XL Front Single Disc Caliper Kit 74-E77

Fits front single disc FX and XL models 1974-E77 with 11.5" rotor. Will require removal of the rotor from the hub and spacing the rotor for adequate caliper-to-spoke clearance. A fitting is provided to adapt the stock brake line. Kit requires a 5/8" bore master cylinder. **Designed for 19" or smaller wheels only.** 2 Piston B caliper.

PCP	Finish	Rotor	M/Cyl	GMA
7512	Satin	11.5"	5/8"	GMA-200E



GMA Model B Caliper

Replacement caliper for 200 Series caliper kits.

7581

Advisory from GMA Inc.

The GMA brakes have to be used with the right size master cylinder otherwise problems will occur with pistons sticking and not retracting. All single disc applications require a 5/8" bore master cylinder. Dual disc applications require a 3/4" bore master cylinder.

GMA Calipers

GMA 400 Series Four Piston Caliper Kits

4 Piston, satin finished billet aluminum calipers deliver increased braking power. Kits include bracket and mounting hardware for listed application. Kits requires 3/4" bore master cylinder.



7582

GMA Model F Caliper

Replacement caliper for 400F Series caliper kits.

7582

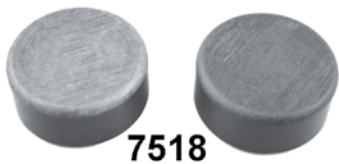
GMA Front Caliper Kit 1977-83

Bolt-on replacement kit uses two GMA model F, four piston calipers and includes fittings to use the stock HD brake lines. Eliminates the rattle experienced with stock calipers on front dual disc from late 1977-83 FX, FXWG and XL models. 19" wheels only. Spoke wire wheels may require some modifications.

PCP	Finish	Rotor	M/Cyl	GMA
7513	Satin	11.5"	3/4"	GMA-420

TECH TIP: "Brake Lines and Fittings"

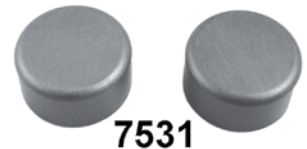
GMA brake kits are designed to use the stock factory brake lines and fittings. All GMA calipers are drilled and tapped 1/8-27 NPT and the correct brake line adapter fittings are included for a no hassle fit.



7518



7533



7531



7517



7517



7532



7516



7515



7530

Replacement Parts Model A

PCP	GMA	Description
7518	PA1	Piston rebuild kit
7517	RB1	O-ring rebuild kit
7516	A	Brake pads

Replacement Parts Model B

PCP	GMA	Description
7533	PA2	Piston rebuild kit
7517	RB1	O-ring rebuild kit
7515	B	Brake pads

Replacement Parts Model F

PCP	GMA	Description
7531	PA4	Piston rebuild kit
7532	RB4	O-ring rebuild kit
7530	F	Brake pads

Tech Tip: Bleeding Problems

This is the single, most common, tech problem. Small motorcycle brakes with multi pistons are difficult to bleed - especially on rear applications where the caliper is higher than the master cylinder. The use of an EZE-bleeder (an inexpensive syringe type bleeding tool that will eliminate all the problems) is recommended.

Front Calipers



53030



53031



46762



46764



46754



46766



46755



46767



46756



46757



46779



Front Caliper Assemblies

Calipers are fully assembled and include disc pads and all internals. Accepts 1/8" NPT line.

Application	PCP	Disc	Finish	Piston	Rotor	UM	OEM
1972-80 FL, FLH 1973 XL	53030	Single	Black with bullseye	1	10"	Ea	44104-72A
	53031	Single	Chrome	1	10"	Ea	44104-72A
1974-77 FX, XL 35mm Narrow Glide	46762	Single	Black	1	11.5"	Ea	44089-74
	46764	Single	Chrome	1	11.5"	Ea	44089-74
L 1978-83 FX, XL 1980-83 FXWG	46754	Dual	Black	1	10"	Right	44195-80
	46766	Dual	Chrome	1	10"	Right	44195-80
	46755	Dual	Black	1	10"	Left	44121-80
	46767	Dual	Chrome	1	10"	Left	44121-80
	46756	Dual	Black	1	10"	Set	
	46757	Dual	Chrome	1	10"	Set	
	46779	Dual	Chrome	1	10"	Set	
46740	Dual	Black	1	10"	Set		

Chrome Brake Caliper Inserts

Easy to install inserts include double face tape and are sold each.

PCP	Diam.	Application
44053	1.47"	1982-E87 Girling rear XL-FXR
44054	1.40"	1977-83 Front dual disc, 1972-84 rear banana and 1977-81 rear XL



44053



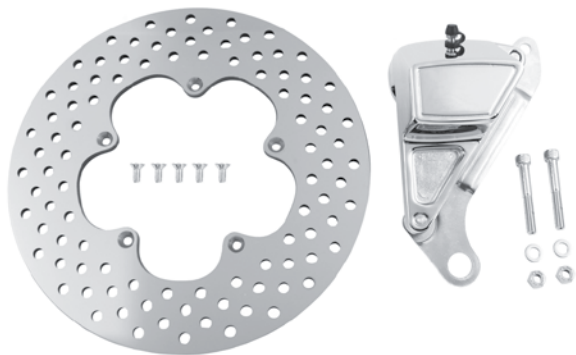
44054

Rear Caliper



Rear Caliper Assemblies							
Calipers are fully assembled and include disc pads and all internals. Accepts 1/8" NPT line.							
Application	PCP	Finish	Piston	Rotor	UM	OEM	Repair Kit
1973-80 FL, FX	53003	Chrome	1	10"	Ea	44105-72	
	2579	Black with bullseye	1	10"	Ea	44105-72	
	53000	Chrome	1	10"	Ea	44000-78D	
1981-82 FL, FX	53002	Chrome dual piston	2	11"	Set	44011-81	46038
	3346	Black	1	10"	Ea	44011-81	
	53009	Chrome	1	10"	Ea	44001-81	
1982-86 BT, FX	46753	Chrome	1	10"	Ea	44050-82A	
1982-E87 XL	46771	Chrome	1	10"	Ea	44052-82A	

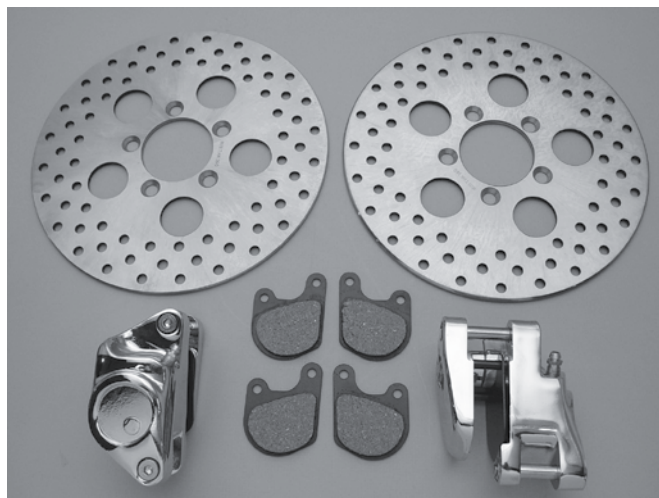
Caliper Kits



1974-77 Drilled Rotor and Caliper Kit

Includes front chrome single disc caliper includes brake pads, bracket, hardware and 11.5" stainless steel disc rotor.

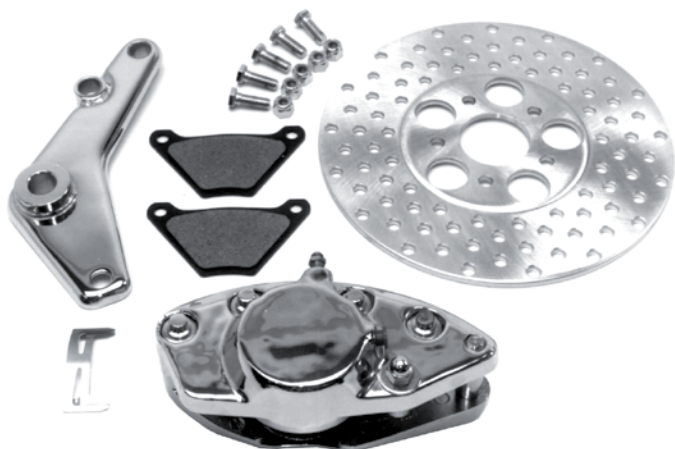
90194 1974-77 FX, XL models



1977-83 XL-FX Chrome Caliper and Rotor Set

Front dual disc set includes two chrome calipers and two 10" drilled rotors. Fits 1977-83 FX, XL and 1980-83 FXWG.

90238 Stainless steel

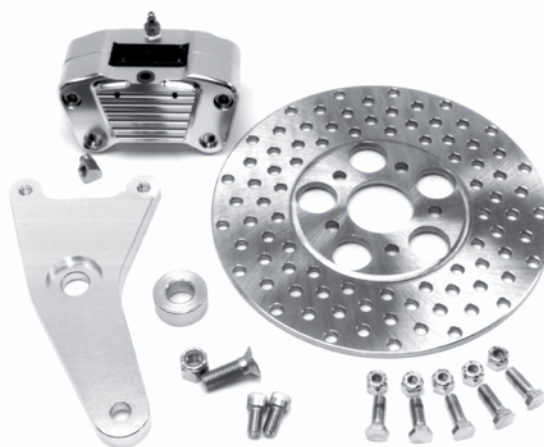


Rear Caliper Kit

Features complete caliper, support bracket & drilled offset 10" disc (as pictured). Fits all 1973-80 FX-FL.

90123 w/Chrome caliper

6313 w/Black caliper



GMA Rear Caliper and Imported Rotor Kits

Kit includes GMA dual piston caliper assembly, 11.5" steel drilled disc rotor, hanger bracket, and hardware. GMA calipers are machined from billet aluminum and clear anodized for outstanding performance and trouble-free service.

90121 FL and FX 1981-84 (not FXR or FLT).

Note: GMA recommends the use of a 5/8" master cylinder



7511

GMA Rear Master Cylinders

- Kelsey-Hayes style rear master cylinders
- Fits 1980-83 FX, FXE, 1980-82 FXWG, 1979-82 FL and 1980-81 XL

PCP	Finish	GMA #
7511	Polished	GMA MC1KP
7523	Black	GMA MC1KB
7548	Master cylinder rebuild kit	



7510

GMA Rear Master Cylinders

- Wagner style rear master cylinders
- Fits 1973-79 FX, FXE and 1958-79 FL

PCP	Finish	GMA #
7510	Polished	GMA MC1WP
7522	Black	GMA MC1WB
7548	Master cylinder rebuild kit	

Caliper Mounting



Caliper Mount Bracket and Anchor Arm

Chrome caliper mounting bracket fits all Big Twin 1973-E80. This piece restores correct rotor to caliper alignment, reducing wear.

PCP Description

- 2273** Chrome bracket BT 1973-E80 (44166-73)
- 27199** Rigid caliper mount bracket
- 2045** Chrome arm fits all FL and FX 1973-83 (44154-73)
- 27185** Chrome tubular anchor arm with 6 5/8" c/c mounting holes. FXWG 1983-85 and FXSB1983-86 (41039-82)
- 2274** Chrome caliper stabilizer spring (41680-83T)
- 9106** Chrome caliper support bolts FX, FL 1973-85
- 9107** Cad caliper support bolts FX, FL 1973-85



Chrome Caliper Bracket FLH-FXE 1973-80

This caliper bracket accepts 1981-82 caliper.
59094 10"



Caliper Rear "Y" Mounting Bracket

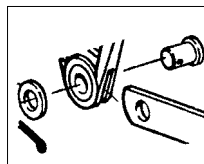
"Y" style bracket offers support at the front and rear to improve rear caliper stability and decrease bushing wear. Cast aluminum bracket for 11.5" brake discs on 1981-84 FL, 1981-82 FX and 1983 FXE. Replaces 44015-81.

74006 Chrome

Rear Brake Caliper Anchor Kit

Includes clevis pin, washer and cotter pin. Anchors the rear brake caliper bracket on FX 1981-82 and FXE 1983-84.

2172 (OEM 520W, 6718, 40918-81)



Caliper Mounting Screw Sets

Chrome plated screw sets contain 4 screws and washers. Fits rear calipers on 1973-82 FX models, 1983 FXE, FL models 1973-1980 FL and front calipers on 1972-84 FL, 1973 FX and XL models. Replaces OEM 44134-72A and 44132-72.

- 3358** 12 point head
- 24010** Allen head
- 72088** Polished allen head, Colony



Caliper Mount Bracket 1982-E87

Fits 11.5" rotors only for 82-E87 BT FXST. Replaces 44027-82.

46736 Chrome



Dual Disc Caliper Mounting Kit

Four chrome allen bolts with nuts for dual disc 1977-83.

PCP Description

- 4568** Bolt & nut set (44173-77, (44174-77)
- 3791** Upper and lower bushing set (46018-77,46019-77) (4)

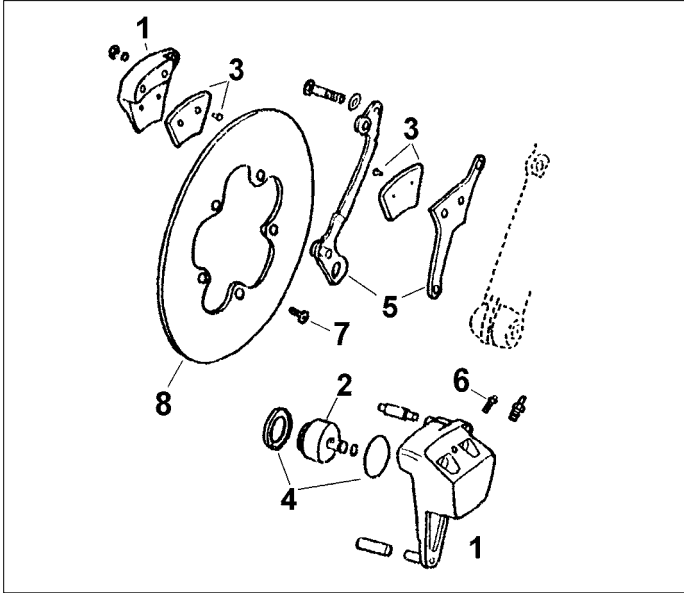


Rear Brake Caliper Anchor Arm Bot Kit

Replaces 40919-81 bolt used on 1981-85 BT. Includes washer and cotter pin.

- 72564** Chrome
- 72565** Zinc

Caliper Service



FX, XL 1974-77 Single Caliper Parts

Repair parts for stock style single caliper

#	PCP	Description
1	46762	Complete black caliper assembly
	46764	Complete chrome caliper assembly
2	2296	Piston (44275-74)
3	873	Pad set (44281-74)
4	2195	Caliper seal kit (44277-74 & 44278-74)
5	27200	Anchor arm and plate (44272-74 & 44276-74)
6	2806	Bleeder screw (41749-58)
7	5351	Chrome rotor screw set (41191-74)
8	906	Plain rotor 11.5" (41807-74)
Kit	46035	Service kit (seals, spring, pins & bleeder screw)



1974-77 Front Caliper Service Fix Kit

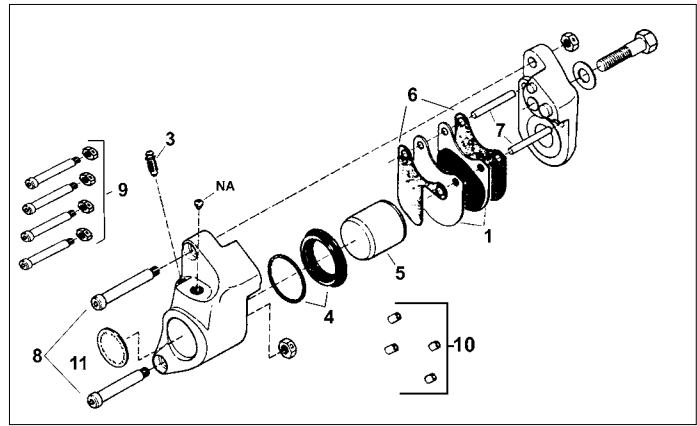
Kit includes seals, spring, pins and bleeder screw.

46035



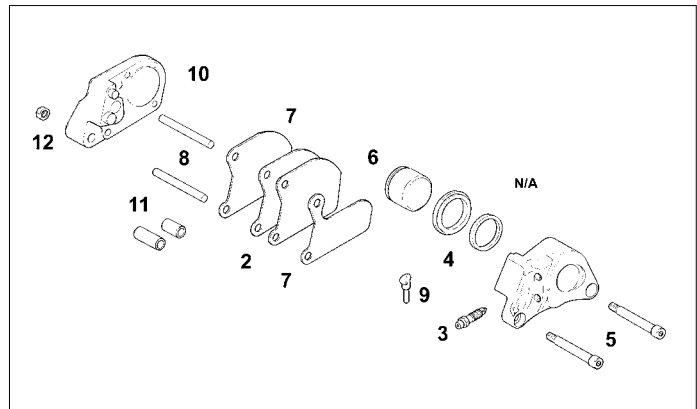
FLT Front Caliper Hardware 1980-83

PCP	Description
N/A	Left caliper 43951-79/right caliper (43942-79)
3354	Screw set (44175-77, 44176-77)
46111	Outer and inner plate set 1980-83 (44182/5-77)
10152	Pin 1979-81 (44186-77) (10 pack)
18716	Slider steel bushing (45862-79) (ea)



Dual Disc Caliper Hardware FX, XL 1977-83

#	PCP	Description
1	46902	SBS Pad set (4 pcs) (44098-77)
	46956	As above EBC (2 pcs)
	878	Preston, as above (4 pcs)
3	4314	Bleeder fitting (44048-83) (5 pack)
4	2196	Piston seal (44151-77, 44153-77) (kit)
5	4815	Piston 1978-83, FXWG 1980-83 (44157-77)
	29036	T/L, as above
6	46113	Inner plate and outer plate (44161-77, 44158-77)
7	10150	Pin (44162-77) (10 pack)
8	3354	Screw (44174-77) (pair)
9	4568	4 bolt and 4 nuts (44173-77, 44174-77)
10	3791	Mount bushing set for 2 legs (4pcs) (46018-77, 46019-77)
11	44054	Chrome insert, front



XL Rear Caliper Parts 1979-81

#	PCP	Description
1	N/A	Polished caliper assembly (44178-77)
2	879	Preston pad set (43395-80)
	46912	As above, SBS
	46957	As above, EBC
3	4314	Bleeder (44048-83) (5 pk)
4	2978	Seal kit (44152-77, 44180-77)
5	3354	Screw set (44174-77)
6	46107	Caliper piston (44181-77A)
7	46111	Inner plate & outer plate (44182-77, 44185-77)
8	10152	Caliper pins (10 pk) (44186-77)
9	23058	Rubber bumper (44199-79) (pair)
10	46020	Inner caliper (44187-77)
11	18708	Bushing, caliper bolt set (44192-77, 44193-77)
12	20103	XL Caliper lock nut (7740) (10 pack)

Caliper Service



Brake Caliper Pistons

These front and rear caliper pistons are top quality replacements.

Front Caliper Pistons

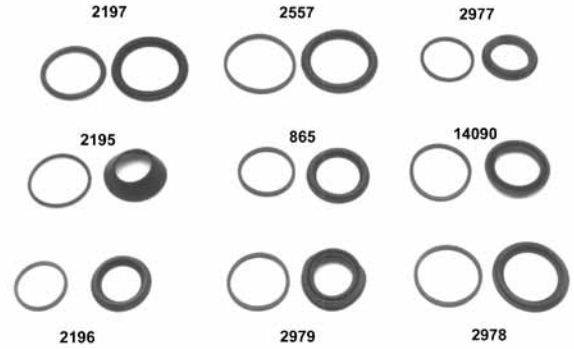
PCP Fits

- 2293** FL 1972-E80 (44109-72A)
- 2295** FL L1980-84 (44118-80)
- 2296** FX & XL's 1974-77 (44275-74)
- 4815** FX & XL 1978-83 (44157-77)
- 3364** FLT 1980-82 (43946-79)
- 46107** FLT 1983 only (44181-77A)

Rear Caliper Pistons

- 2292** FL & FX models 1973-E80 (44129-73)
- 3364** FLT/FLHT 1980-85 (43946-79)
- 2295** FL models L1980-84, FX L1980-82, and 1983 FXE (44118-80)
- 46107** XL 1979-81 (44181-77A)
- 4816** 1983 FXSB, FXR 1982-86, FXWG 1983-86 and XL 1982-E87 (44208-82)

Note: 1980-85 FLT calipers use 2 pistons



Caliper Seal Kits

These kits include seal and dust boot.

PCP Fits

- 2196** Front dual disc calipers on XL 1979-83 and FX 78-83. Kit for one caliper (44151/3-77)
- 2197** Rear caliper on FX 1973-E80, front & rear caliper on FL 1972-E80, front XL 1973 (44127-72A, 44133-72)
- 2557** Front caliper on FL L80-84, rear caliper on FX L80-83, FXE 1983 and FL L1980. (44007-80, 44133-72)
- 14569** O-ring only for above (44127-72A) (5 pack)
- 2195** Front caliper on FX and XL 1974-77 (44277/8-74)
- 2977** Front calipers XL 1984-86 (44047-83, 44022-83)
- 2979** Rear calipers on Sportster® and FXR 1982-E87, FXWG 1983-86, and 4 speed FX 1984-E87.
Note: Seal kit only was not available OEM. This 2 piece kit fits OEM 44208-82 caliper piston.
- 2978** Rear caliper XL 1979-81 (44152-77, 44180-77)
- 865** FL/FLHT, FLT 1980-85 with dual piston caliper. Includes one each of 43945-79 & 43947-79. 2 required per caliper.

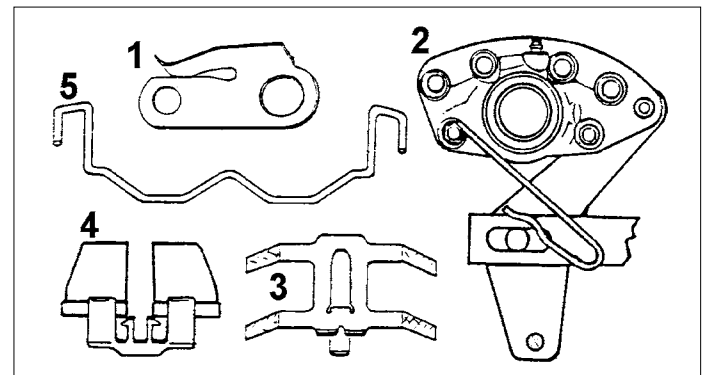
XL Rear Caliper Bushing

- 18636** XL 1979-81 (45861-79) (each)



FL, FX Caliper Repair Kit

- 46038** Caliper rebuild kit 1981-82



Vibration Clips

Fit to OEM to dampen pad rattles.

PCP Description

- 1 16231** Front FL 1973-78 (41768-73)
- 2 3355** Rear FX, FL 1973-81 (41670-73)
- 3 16242** Rear 1983-91 (44211-82)
- 4 16243** XL, FXR 1982-on, FLHS, FXSB, FXWG 1983-on (41665-82)

Anti-Vibration Kit #3355



Caliper Service



Caliper Mounting Stud Kit for Harley

Includes brake pad pins, mounting bracket steel pin bushings, mounting stud, locknut and washer for Harley and PC, large banana style calipers 1973-1980.

PCP Description

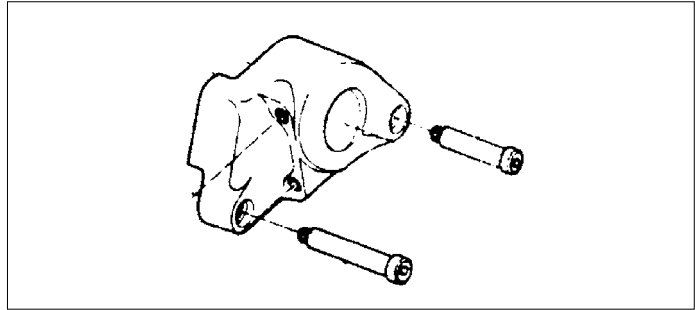
- 1214** Kits sold each as pictured (44331-73)
- 1263** Pins BT 72-80 rear, FLH 72-80 fr. (44124-72) (10 pk)
- 2097** One large steel pin bushing only (45821-75)
- 2096** One small steel pin bushing only (45822-74)
- 3347** Bleeder screw repair kit 1972-on
- 4315** Universal bleeder screw dust boot (10 pk)
- 4314** Late bleeder screw dual disc and late XL rear calipers (44048-83) (5 pk)
- 2274** Chrome caliper stabilizer (41680-83T)



Brake Rebuild Kit

Kit includes all pieces pictured to fit 1973-80 banana rear calipers. One feature of this kit is a large ground pin that repairs elongated mount hole in body.

59093



XL Caliper Screws

Replaces 44174-77 on 1979-81 Sportster rear caliper. (Pair)

3354



Oversized Caliper Mounting Pin Rebuild Kit

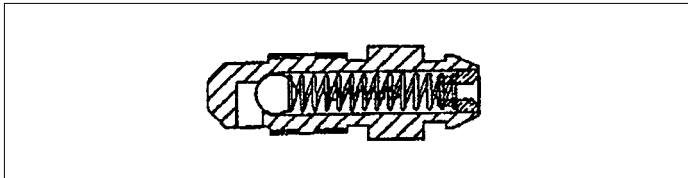
Replace stock mounting pins by boring caliper holes oversize. Get longer life of caliper housing before replacement.

1264 1973-84

Caliper Mounting Pin

A large brake caliper mounting pin for FL 1972-80 front and rear, and FX 1972-80. Replaces 44107-72.

3352

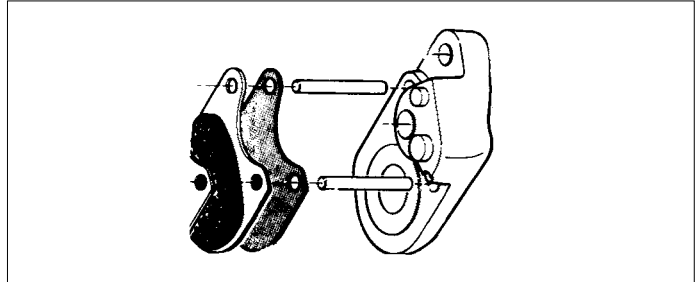


Russell Brake Bleeder Valve

Uses an internal one way valve that allows air to escape but, not enter the bleeder when the brakes are being pumped. Sold in pairs.

24530 1/4" FL 80-on, FX, XL, FLT 1978-on (44179-58)

24531 FL 1980-on, FX, XL, FLT 1978-on. 3/8"-24 bleeder (44146-77, 44146-82, 44048-83)



FX, XL Dual Disc Pad Pins

Replaces 44162-77 on FX-XL 1977-83 calipers. (10 pack)

10150

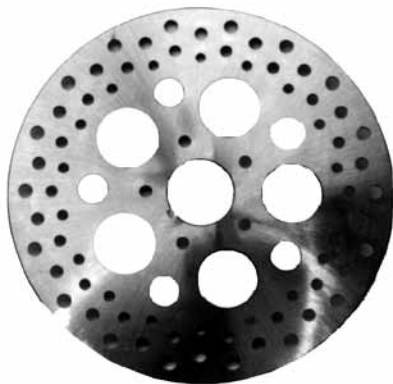


Colony Brake Caliper Bleeder Screws

Chrome plated bleeder screws replace 44048-83. For use on 1983-03 Sportster and 1983-04 BT. Pair.

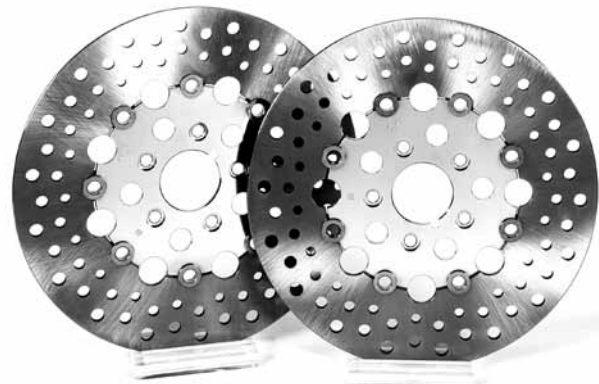
72600 Chrome

72601 Zinc



Russell 5-Shot Stainless Steel Brake Rotors

Stainless steel rotors are highly rust resistant and compatible with most types of brake pads including sintered material and Kevlar. Delivers optimum braking efficiency and maximum heat dissipation. Uses stock mounting hardware. Available in choice of matte Satin or Pro Polish Mirror finish.



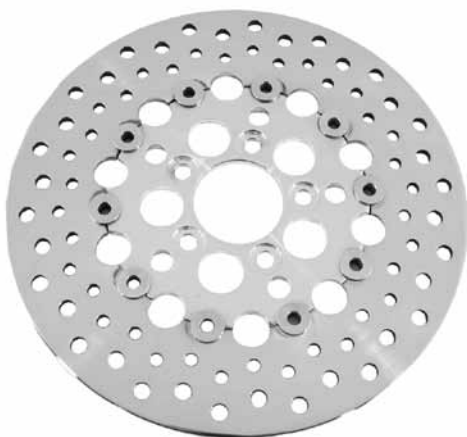
Russell True Floating Brake Rotors

Stainless steel rotors with chrome centers have spring loaded retention system to provide maximum floatation. Rotors are self aligning, maintaining full contact with pads offering no rattle, quiet, cooler operation. Uses stock mounting hardware.

Russell High Performance Stainless Steel Brake Rotors

Stainless steel rotors are sold each, two are required for dual disc applications. Rotors use stock mounting hardware.

Satin	Pro Polish	True Floating	Size	Type	Application	Hub Diam.	Bolt Style
53015	53021	53027	11.5"	Front	FL , FX and XL 1984-99 (44136-84A)	2"	CB
53016	53022	53028	11.5"	Rear	All FX 1981-91, XL 1979-91, FXR 1982-91 (41791-79A)	2"	CS
53017			11.5"	Front	FX, XL 1974-77 single disc (41807-74)	2"	CS
53018	53024		10"	Front	FX, FXR, XL 1978-83 with dual disc (44137-77A)	2"	CS
53019			10"	Rear	FX 1978-80, FL 1978-80 (41813-79)	2"	CB
				Front	FL 1978-84		



Floating 11.5" Rear Brake Disc Rotor

Floating breaking surface is relatively loose so it can move to align with pads, decreasing pad pulsing. Bolts not included. Fits FX 1981-84 and XL 1979-99. Polished stainless steel.
59241



GMA 11.5" Two Piece Disc Rotors

Special use cast iron rotor with polished aluminum center for 4 piston calipers.

Note: these rotors should not be polished or chromed

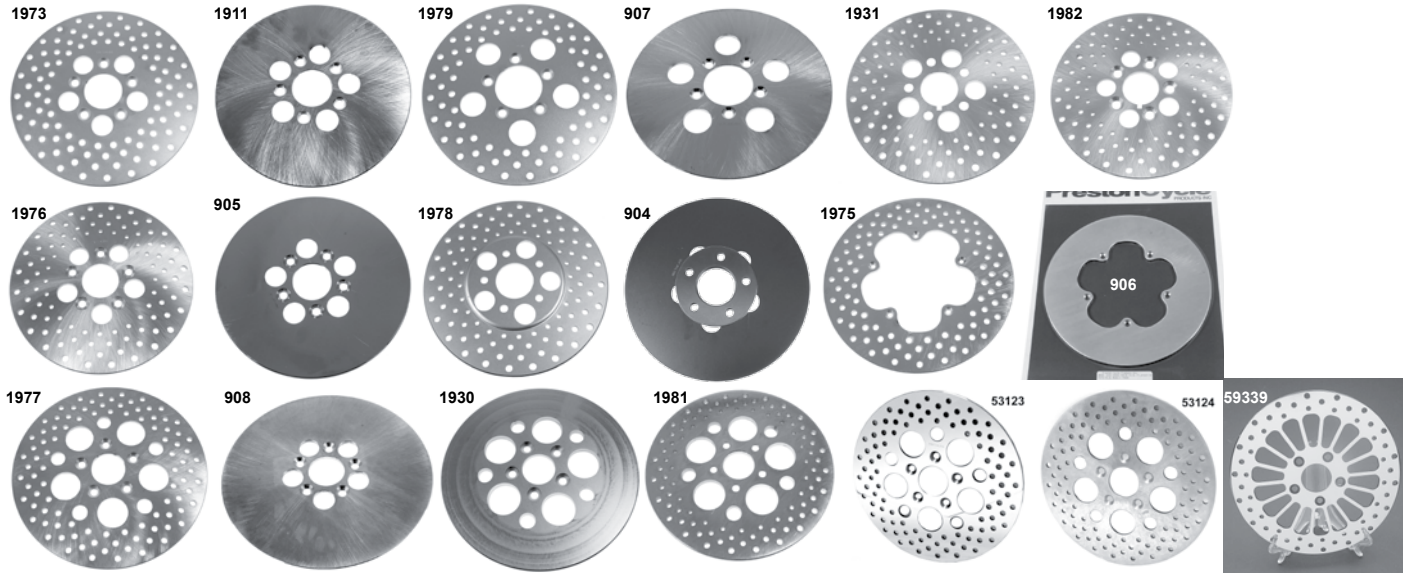
PCP	Fits	Caliper	Mt. Bolts
7572	Rear 1981-94 FXR	4 piston	24011

Note: Warranty Exception (GMA)

Do not use pads that are semi-metallic on these rotors. Use only organic pads such as SBS-RQ compound or Vesrah Kevlar green pads. Other brands of organic pads are also acceptable.

GMA does not recommend polishing or chrome plating brake rotors. Warranty is void when rotors are polished or chrome plated

Rotors



Steel Disc Brake Rotors

Stock replacement disc features a fine finish ground to OEM specifications. Available with or without holes. Order bolt set separately. Sold each.

Drilled	Plain	Size	Type	Application	Wheel	I.D.	Thick	Bolt	Bolt Style	OEM
1973	1911	10"	Front	1979-83 XL	Cast	2.0"	.190	5350	CS	44137-79
1979	907	10"	Front	1977-83 FX, XL, 1982-83 FXR	Cast/Wire	2-3/8"	.210	5350	CS	44137-77A
1931 1982*		10"	Front	1979-83 FLT		2.0"	.230	4361	CS	44210-79
1976	905	10"	Front/ Rear	1973-80 FL		2.0"	.230	5328	Punch	41813-79
			Rear	1978-80 FX	Cast/Wire					
			Front	1981-84 FL						
1978	904	10"	Front	1972-78 FL		1-13/16"	.230	5328	Punch	41806-72B
			Front	1973 FX, XL with built-in offset						
			Rear	1973-78 BT						
1975	906	11.5"	Front	1974-77 FX, XL	Cast/Wire	Star	.225	5351	CS	41807-74
1977	908	11.5"	Rear	1979-92 XL		2.0	.225	5382	CS	41791-79
			Rear	1981-91 FX, FXR	Cast/Wire					
	1930	12"	Rear	1981-84 FLH	Cast/Wire	2.0	.390	5382	CS	
1981		12"	Rear	1979-85 FLT		2.0	.390	4361	CS	40939-79A

*Stainless Steel
CB=Counterbore

CS=Countersunk

Dura Stainless Steel Disc Brake Rotors

Standard or polished finished stainless steel rotors are compatible with all disc pads including sintered metal and OEM. Order bolt set separately. Sold each.

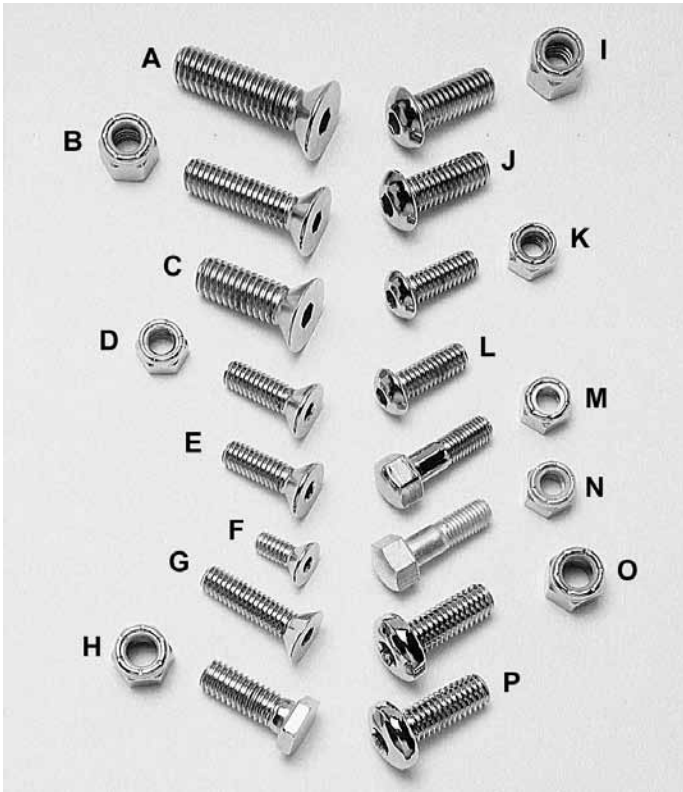
Polished	Standard	Size	Type	Application	Wheel	I.D.	Thick	Bolt	Bolt Style	OEM
53123	53124	11.5"	Rear	1979-92 all XL 1981-92 FXR	Cast/Wire					41791-79

Wyatt Gatling Stainless Steel Disc Brake Rotor

Custom polished stainless steel 18 spoke rotor. Sold each.

59339			Rear	1979-99						
-------	--	--	------	---------	--	--	--	--	--	--

Rotor Related



Chrome Rear Rotor Bolts

#	PCP	Thread	Fits
A	4360	7/16 x 14 x 1 1/4	1982-85 FLT
B	5382	3/8 x 16 x 1 1/2	1979-99 FX-XL, 1981-84 FL
C	4361	7/16 x 14 x 1 1/4	1980-81 FLT
H	5328	3/8 x 16 x 1	1973-80 FL
I	5329	3/8 x 16 x 1	1973-80 FL
J	9632	3/8 x 16 x 1	FX, FL 79-91, XL cast 79-96 w/o nuts
M	5401	5/16 x 24 x 1	1952-78 XL
N	5402	5/16 x 24 x 1	1952-78 XL (Cad plated)

Chrome Front Rotor Bolts

#	PCP	Thread	Fits
A	4360	7/16 x 14 x 1 1/4	1982-85 FLT
C	4361	7/16 x 14 x 1 1/4	1980-81 FLT
D*	4362	5/16 x 18 x 1	1978-83 FXWG
E	5350	5/16 x 18 x 1	1978-82 FX-XL (dual disc)
F	5351	1/4 x 20 x 5/8	1974-77 FX-XL
G	9600	5/16 x 18 x 1 1/4	1974-80 FX-XL w/Mag wheel
H	5328	3/8 x 16 x 1	1973-80 FL, 1973 only FX-XL
I	5329	3/8 x 16 x 1	1973-80 FL, 1973 only FX-XL
L	5384	5/16 x 18 x 7/8	1984-on FX, FXR, XL (torx)

*Dual Disc Applications require two sets.

Chrome Rear Rotor Covers

American made chrome covers.
7020 FLT-FLHT 1981-83



Rotor Disc Cover

Completely covers the front disc without interference on 1973-84 FL single disc models. Comes with required spacers.
442 1973-84

Dummy Disc Brake Cover

Fits right side of FLH. Gives the look of dual disc brakes. 1973-80.
1165 1973-80

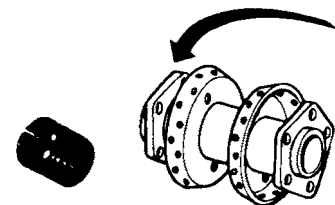


Sprocket & Disc Spacers

Used to establish correct rotor to caliper alignment/spacing when servicing wheels, brake calipers, supports or rotors.

PCP	OEM	Thickness	Years	Use
3376	41814-76	1/16"	1976-81	Disc
11855	40932-81	3/16"	1981-84	Both
11856	Alloy	1/4"	1973-on	Both
11857	Alloy	5/16"	1973-on	Both
11858	Alloy	3/8"	1973-on	Both
11859	Alloy	1/2"	1973-on	Both

Use **3376** when installing flat rotor on 1973-75 Big Twins.



Rotor Bolt Spacers for 1 Wheel

Set of 5 steel spacers to adapt 1973-on FX-FL rear hubs to accept front rotors for front fork use, dual disc type 1980-93 FXWG type.

PCP	Size
1167	3/8" O.D., 5/16" I.D. (10 pk)
18009	7/16" O.D., 3/8" I.D. (5 pk)
18010	7/16" O.D., 5/16" I.D. (10 pk)

Brake Pads



1972-84 Front and Rear Disc Brake Pads

Brake pad kits for 1972-84 front and rear disc brake "banana" caliper applications (OEM 44005-78 and 44135-74). Fits FX and XL disc front brake 1973; FL models single disc front brake 1973-84; and FL models 1973-83 rear disc brake.

872



1974-77 Single Disc Front Brake

Brake pad kits for 1974-77 single disc front disc brake (OEM 44281-74). Each kit contains two brake pads and four rivets. Fits FX and FXE 1974-77; XLH and XLCH 1974-77.

873



1977-83 Dual Disc Front Brake

Brake pad kits for 1977-83 dual disc calipers (OEM 44098-77). Fits FX and FXWG 1977-83; XL models 1978-83; XLCR 1977-78; and 1982-83 FXR's with dual front disc brakes.

878 Set (containing 4 pads)



1977-81 XL Rear and 1980-83 FLT Front

Fits all XLCR 1977-78 rear disc (OEM 44099-77). Fits all XL 1979-81 and all FLT/FLHT models, front dual disc brake, 1980-83 (requires two sets), OEM 43395-80.

879 Set (2 pads)



1980-85 FL, FLT and FLHT Rear Disc Brakes

Brake pad kit for large automotive style dual piston rear caliper (OEM 43957-80). Fits 1980-85 FL, FLT and FLHT models rear disc brake.

2569



1982-E87 Rear Disc Brakes

Brake pad kits for the rear "Girling" caliper on all 1982 to early 1987 models except FLT and FLHT models (OEM 44209-82).

2570



XL Front Disc Brakes 1984-on

Brake pad kit for 1984-on XL models with either single or dual caliper front disc brakes (OEM 44063-83). Dual front disc brake models (FXRT, FXRD, FXRS with sport suspension and XR1000 models) require two pad sets for a complete brake service (OEM 44063-83).

3974 Set (2 pads)

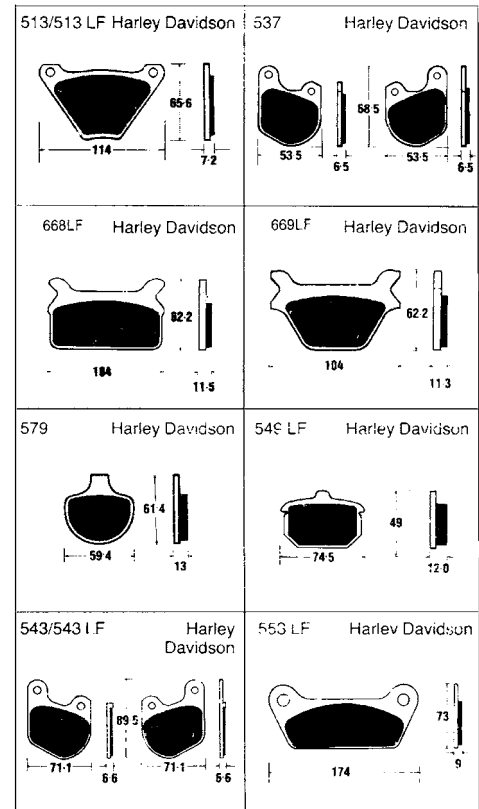
SBS Brake Pads

Scandinavian Disc Pads.

UPGRADE YOUR BRAKE PADS WITH SBS COMPOSITE TECHNOLOGY

Replace worn or glazed brake pads with modern SBS lead-free, asbestos ceramic components. These SBS pads have long life, dependability, and provide optimum braking performance in wet or dry riding conditions. SBS's proven ceramic fiber compound is the result of precise blending of 25 critical ingredients.

Patented ultrasonic UCT (Unified Composite Technology) blending produces a consistent fiber blend and composition to provide superior brake pad function under all circumstances. These pads are gentle on OEM rotors while providing the best in all-weather stopping performance. SBS means superior brake service!



PCP	SBS	Fit	Application
46900	513HF	Front	FL, FLH 72-84; XL, FX 1973 (44131-73)
46901	679HF	Front	FXE, FXB, XL 74-E77 (44281-74)
46902	537HF	Front	FXR, FXRS 82-83; FXWG 80-83, and XL, FXE, FXEF L77-83 (44098-77)
46903	543HF	Front	FLT, FLHT 80-83 (43395-80)
46904	579HF	Front	XL 84-98 (44063-83A/B/C/E)
46910	513LF	Rear	FL, FLHT L78-80; FL, FLH, FLHS 72-E78; FXWG 80-82; FX, FXE 73-E78 (44005-78, 44135-74)
46911	553 LF	Rear	FLT, FLHT 80-85 (43957-80)
46912	543LF	Rear	XL 79-81 (43395-80)
46913	549LF	Rear	FXR, FXRS, FXRT 82-E87; FXWG 83-86; XL 82-E87 (44209-82)

Other Applications

PCP	SBS	Fit	Application
46916	512H-LF	Front	GMA-BDL Model A calipers
		Rear	GMA caliper FL with 11.5" rotor (NO FLT, FXR) 73-84 and rigid frames with 10" rotor
46917	559HF	Front	GMA caliper 4 pistons XL 77-98; FXR 80-83 and FXWG dual disc (slight trimming may be required)
46918	560HF	Front	GMA "B" caliper XL 84-98; BT 72-83; FX, XL 74-77; FL dual caliper 49-84
		Rear	GMA "B" caliper XL 79-98

EBC Brake Pads

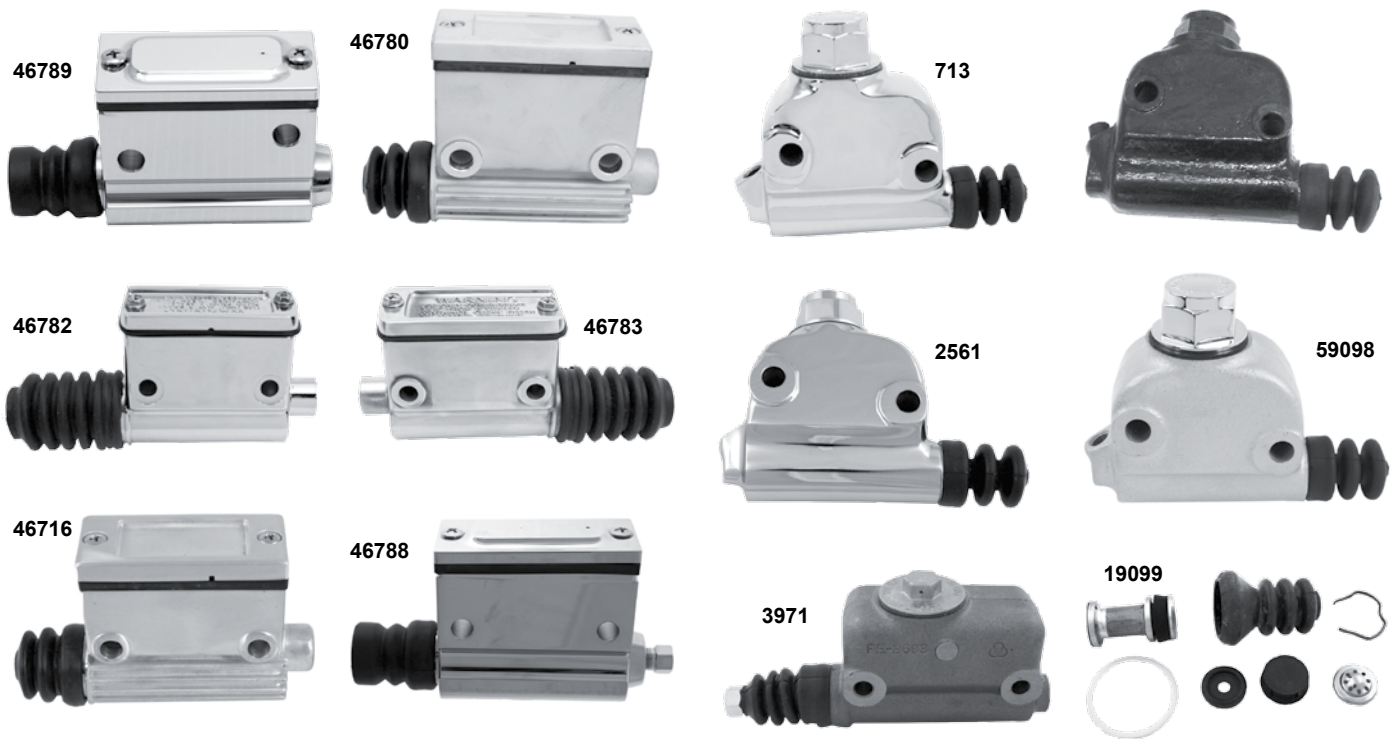


EBC Brakes

Made from a Kevlar material that is 6 times stronger than steel and less abrasive than steel or asbestos, preventing damage to your rotors. Pads do not carbonate, crack or chip while being able to withstand temperatures higher than asbestos pads. These pads offer superb braking power with reduced fading, no disc damage and improved durability.

PCP	EBC	Fit	Application
46953	FA78	Rear	82-E87 models except FLT, FLHT
46954	FA79	Rear	80-85 FLT, FLHT
46955	FA24/2	Front	73-84 FLH front single disc
		Rear	73-80 FLH, 73-83 FX
46956	FA71	Front	78-83 FX and XL dual disc models
46957	FA72	Front	80-83 FLT, FLHT dual disc
		Rear	77-78 XLCR, 79-81 XL
46958	FA26	Front	74-77 FX and XL single disc models
46959	FA36	Front/Rear	GMA A caliper
46960	FA76	Front/Rear	GMA B caliper
46961	FA115	Front/Rear	GMA F caliper; Jaybrake 4 piston; Performance Machine 125x4S caliper
46962	FA188	Front/Rear	Jaybrake Jayfour 4 piston caliper
46963	FA190	Front/Rear	Jaybrake 6 piston caliper
46964	FA32	Front/Rear	Performance Machine 162x2 caliper
46965	FA216	Front/Rear	Performance Machine 125x4R caliper
46967	FA249	Front/Rear	Performance Machine 112x6/B caliper

Rear Master Cylinder



Kelsey-Hayes Type Master Cylinder

Reproduction of the Kelsey-Hayes style master cylinder. Complete master cylinders include all internal components, boot, cover gasket, and chrome top cover. Many other reservoir covers are available elsewhere in this catalogue. In-line holes except where noted.

For 1958-78 FL, 1971-78 FX

PCP	Bore	Finish	OEM
46789	5/8"	Billet	Offset holes
46312	Rebuild kit		

For L1979-84 FL, FLH, 1980-82 FLT, and 1979-81 XL

PCP	Bore	Finish	OEM
3964	3/4"	Chrome	41754-79A
46780	3/4"	Stock	41754-79A
711	Master cylinder rebuild kit for above (42374-77B)		

For 1982-E87 XL

PCP	Bore	Finish	OEM
46782	5/8"	Chrome	42453-82A
46783	5/8"	Plain	42453-82B

For 1979-84 FXS, 1980-83 FXWG

PCP	Bore	Finish	OEM
46712	3/4"	Chrome	42453-80A
46716	3/4"	Natural	42453-80A

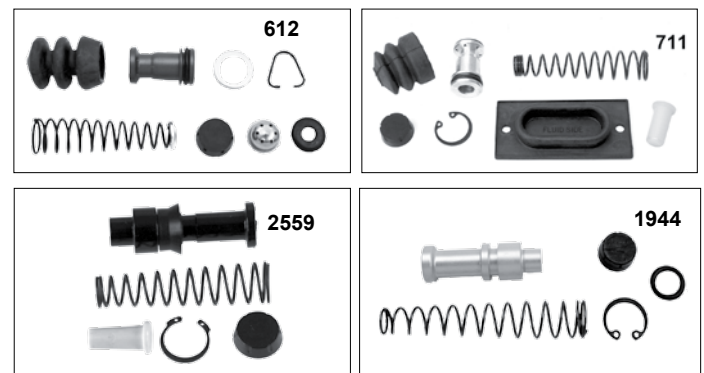
For 1979-84 FL, 1979-84 FXS, 1980-83 FXWG

PCP	Bore	Finish	OEM
46788	5/8"	Billet	
46312	Rebuild kit		

Complete Wagner Style Master Cylinder

Cast iron type to replace Wagner Lockheed style on 1958-79 Big Twins, drum & disc brake types. Drum brake type may be used on disc brake models by following instructions in factory service manual. Units are assembled with internals and include cap and boot.

PCP	Type	Description
713	Drum 1958-72	Chrome, .730 bore (41761-58)
46799	Drum 1958-72	Black, as above
2561	Disc 1973-E79	Chrome (41761-78)
59098	Disc 1973-E79	Black (41761-78)
3971	Servi car 1951-73	Genuine Wagner (83500-51)
19099	Rebuild for #3971	Genuine Wagner (83502-51)

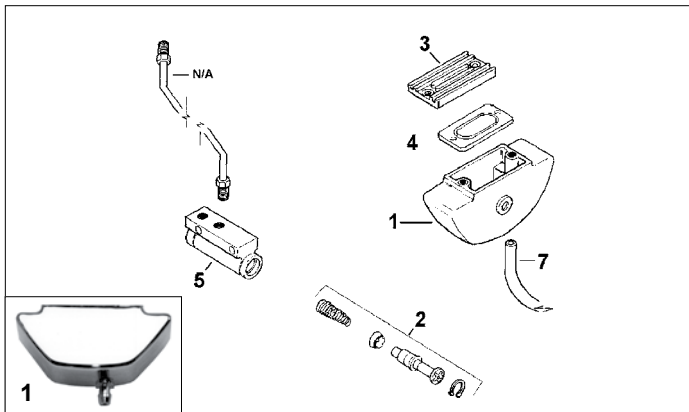


Rear Master Cylinder Rebuild Kits

PCP	Application
612*	1958-79 Big Twin (41762-58A)
711	1979-81 XL, L1979-84 FL, L79-85 FLT, L79-83 FX (42374-77B)
2559	1982-86 XL, 1983-85 FX 4-speed (42374-82A)
1944	1982-E87 All FXR (42382-82A)
19099	1951-73 Servi-Car w/Wagner m/cylinder (83502-51)

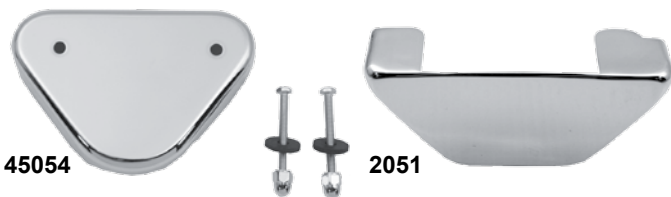
*Note: 612 fits cast iron type Wagner Lockheed style.

Rear Master Cylinder



Rear Brake Master Cylinder & Reservoir '82-87

#	PCP	Description
1	46710	Chrome reservoir body (41800-81A)
2	2559	Rebuild kit (42374-82A)
3	2387	Chrome top cover 1979-84 (42376-77A)
4	25148	Gasket 1982-84 (42455-80) (each)
5	46715	Chrome master cylinder (42446-82A)
6	N/A	Brake tube (45154-84)
7	3056	Black hose 5/16" x 25'



Chrome Rear Master Cylinder Reservoir Cover

Fits the FXR remote reservoir on Harley rear brake systems 1982-94. A perfect chrome match to our FXR model side covers. One-piece, sturdy construction. Two-way adhesive mounting pad is included on #2051. Easy to install.

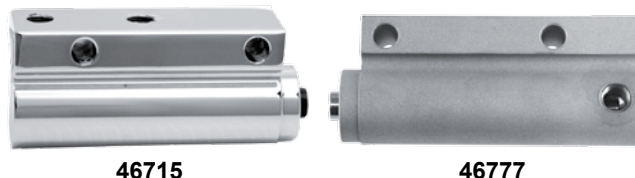
45054	Bolt on style
2051	Snap on style



GMA Billet Master Cylinder Reservoir

Replaces original plastic unit on 1982-on (41800-81A). Includes billet top, rubber gasket, fitting and mounting hardware. Fits FXSB 1983-84, FXR 1982-94, FLHS-80 1983, and FXE-80 1984.

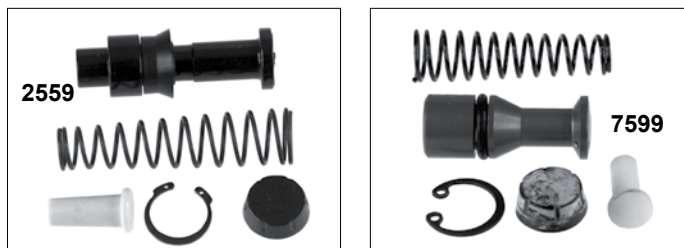
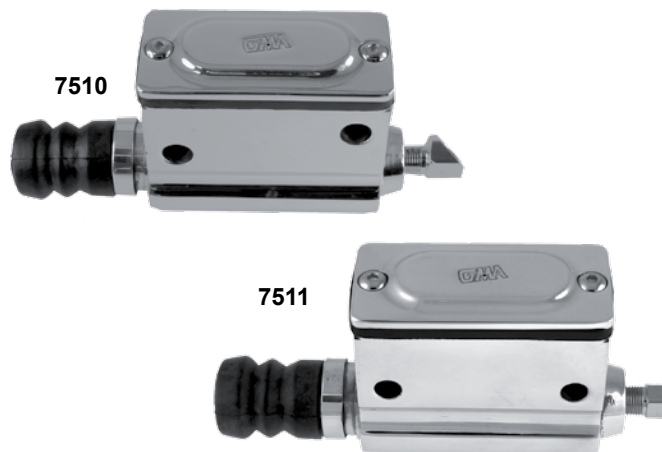
46720



Chrome Rear Master Cylinder 1982-E87

Rear master cylinder for most Big Twin models with 'Girling' rear calipers. Perfectly replaces the stock master cylinder on all 1983-E87 FX models (except 1984 FXE). May also be installed on all 1982-E87 FXR models, but the pipe plug on the backside will have to be removed for stop light switch installation.

PCP	Description
46715	Chrome complete w/stop switch holes (42446-82A)
46777	Natural complete w/stop switch holes
1944	Rebuild kit for above 1982-86 (42382-82)



GMA Master Cylinders

5/8" Master cylinders are CNC machined from heat treated aircraft billet aluminum and are designed to work with dual piston calipers. 5/8" Diameter piston produces more hydraulic pressure than stock—resulting in increased stopping power.

7510	Fits Big Twins 1958-79 (Wagner bolt pattern)
7511	Fits Big Twins 1980-84 (Kelsey-Hayes bolt pattern)
2559	Rebuild Kit for above (prior to Feb-98) (MCRBI)
7599	As above for master cylinders Mar-98 on (MCRBP)

Tech Tip "Rear Master Cylinder"

This falls into two categories:

- 1: 1973-mid 1984-These models use a 3/4" diameter bore master cylinder and will not function correctly with GMA multi-piston calipers. The bore is too large and will not create sufficient pressure. We have learned from years of testing that it is absolutely necessary to use a 5/8" diameter master cylinder on all of these models.
- 2: 1984-present-The factory rear master cylinder is a 5/8" bore and will function correctly with GMA rear brake calipers.

Rear Master Cylinder Service



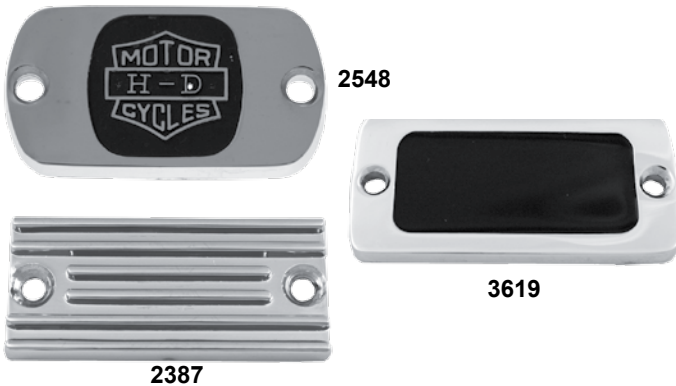
45119

45120

45220

Eagle Spirit Rear Master Cylinder Covers

Chrome	Gold	Type
45119	-	1982-E87 rear XL (42381-82)
45120	45220	1979-84 rear FL1980-82, FXWG 1979-81, XL's 1982-89, BT rear remote reservoirs (42376-77A)



2548

3619

2387

Chrome Rear Master Cylinder Covers

PCP	Fitment	Style
2548	1972-81	With black emblem
2387	1979-84 FL, FX 1979-81 XL	Ribbed (42376-77A)
3619	1982-85 FL, FX, XL	Plain black center Girling m/cyl (45057-82)



25140

2313

44055

Chrome Master Cylinder Cap

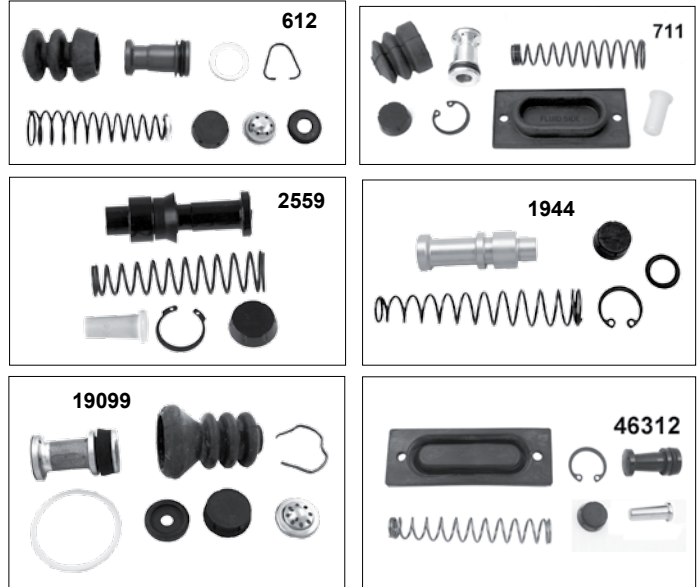
Fits Big Twin master cylinders 1958-E79.

2313	Chrome (41765-58)
44055	Black (41765-58)

Master Cylinder Top Gasket

Replaces 41766-58. Use on 1958-78, 74", 80".

25140 10 Pack



612

711

2559

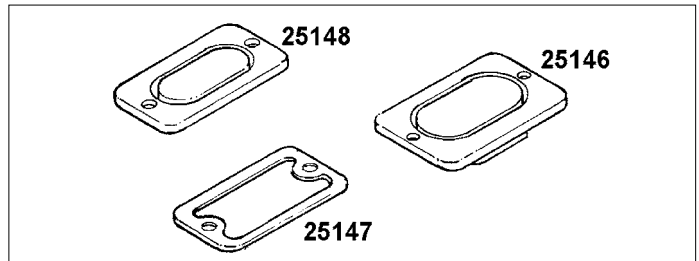
1944

19099

46312

Rear Master Cylinder Rebuild Kits

PCP	OEM	Application
612	41762-58A	1958-79 BT cast iron Wagner style
711	42374-77B	L1979-84 FL, L79-85 FLT, L79-83 FX 1979-81 XL,
2559	42374-82A	1983-85 FX 4-speed, 1982-86 XL
1944	42382-82A	1982-E87 All FXR
19099	83502-51	1951-73 Servi-Car Wagner style
46312		5/8" Bore billet Kelsey-Hayes style
21684		5/8" Bore billet Wagner style



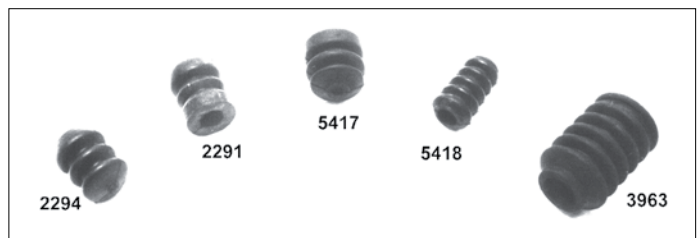
25148

25146

25147

Master Cylinder & Reservoir Top Gaskets

Rear	OEM	Description
25148	42455-80	Master cylinder top 1979-81 (ea)
25142	42455-82	Reservoir 1982-84 (ea)
25146	45005-85	Sportster (ea)



2294

2291

5417

5418

3963

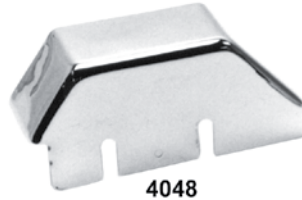
Master Cylinder Boot for Harley

PCP	Description
2291	FL, FX 1970-E79 (41764-70)
2294	FL 1958-69 (41764-58)
5417	FLH 1979-on, FX 1979-82, XL 1979 (41764-79)
5418	FX 1983-on (42326-82)
3963	XL 1979-03, FLT/HT 1980-on and FXR 1982-on (40922-79)

Master Cylinder Covers



XL Chrome Rear Master Cylinder Cover
64202 Die Cast 1984-03 (45286-98)



4048



2250

Rear Master Cylinder Cover for FL & FX

Fits Wagner rear master cylinders on 1958-79 FL and FX. Replaces OEM 41737-63T.

2250

Late Type Chrome Master Cylinder Cover

Fits all FLH 1979-84, Replaces 41745-79T.

4048



45174

XL Die Cast Rear Master Cylinder Cover
45174 1984-03 (45286-98)



Chrome Rear Master Cylinder Cover

Easy to install on 1982-86 FXR.

59096



45711

Chrome Pedal and Master Cylinder Cover Kit

Fits XL 1982-03 and includes pedal, cover, plunger and mount hardware.

45711



4498

XLH Chrome Master Cylinder Cover 1980-03

4498

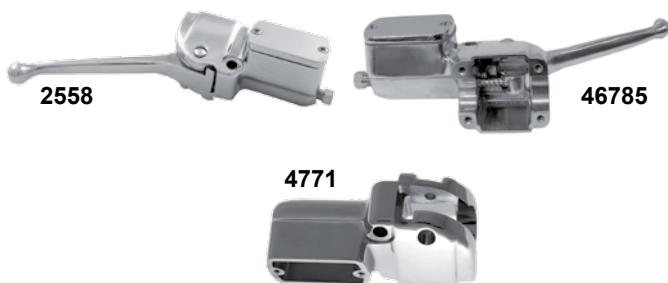


Black Handlebar Master Cylinder Assembly

1/2" Bore master cylinder with brake lever, stop light, reservoir cover and all internal components.

91203

Handlebar Master Cylinder



Master Cylinder 1972-81

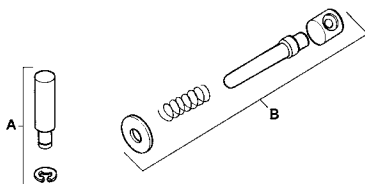
Complete master cylinder assembly includes brake lever, master cylinder cover, brake line fitting, stoplight switch and all other internal components. Fits all XL, FL models 1973-81 and FL models 1972-81. Pivot pin and plunger kit includes hand lever and plunger pivot pins, plunger, plunger spring, dust wiper and washers.

PCP	Description
2558	Chrome master cylinder (45010-72C)
46785	Polished (master cylinder (45010-73)
4771	Chrome master cylinder body only (45024-72)
46305	1972-81 Master cylinder rebuild kit

Chrome Handlebar Control Kits for 1972-81

These complete chrome-plated control kits are offered in two versions. The kit contains the master cylinder and clutch lever assembly with two switch housings, all handlebar wiring harnesses and switches attached, the buttonswitch caps and all the necessary mounting hardware required.

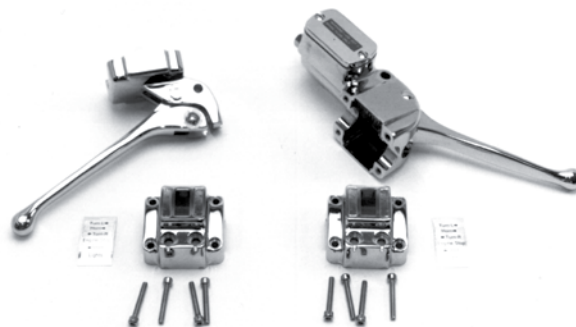
6705	Chrome kit w/wiring and chrome switches and caps
91209	Chrome kit with wiring and black switches
91205	Chrome kit with chrome switches and caps



Master Cylinder Plunger 1972-81

Sold as a complete kit or by individual pieces.

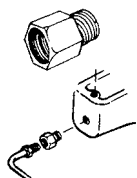
PCP	Description
4388	(A) Kit
4389	(B) Kit
46102	Plunger (45055-72) (5 pack)
46103	Spring cup (45059-72) (10 pack)
10158	Lever pin (45032-72) (5 pack)
10156	Plunger pin (45031-72) (5 pack)
11010	Snap ring (11015) (10 pk)



Handlebar Control Kit

Fits 1972-81 Harleys. Includes master cylinder assembly, clutch and brake levers, clutch lever bracket and two (2) vertical switch housings. Reuse OEM wiring.

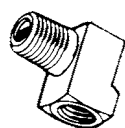
91206	Polished kit
91204	Chrome kit



FLH Brake Fitting

Replaces 63609-72 on FL-FLH 1973-81 1/8-27 NPSF each.

4699 Each



Master Cylinder & Tee Fitting

This right angle fitting adapts the front brake line to the handlebar master cylinder and the brake tee on many Harley models 1972-81.

3966 43307-78 (each)



Master Cylinder Cover Gasket

Replacement gaskets for the handlebar master cylinder of all stock 1972-81 FL, FLT and 1973-81 FX, XL models. Replaces OEM 45012-72. Available in 10 packs only.

25147

Chrome Switch Housing Mount Kit

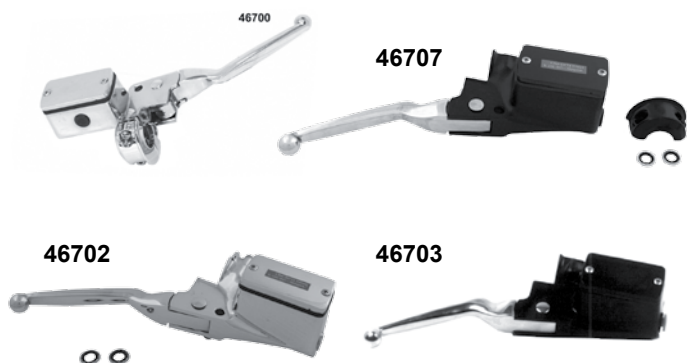
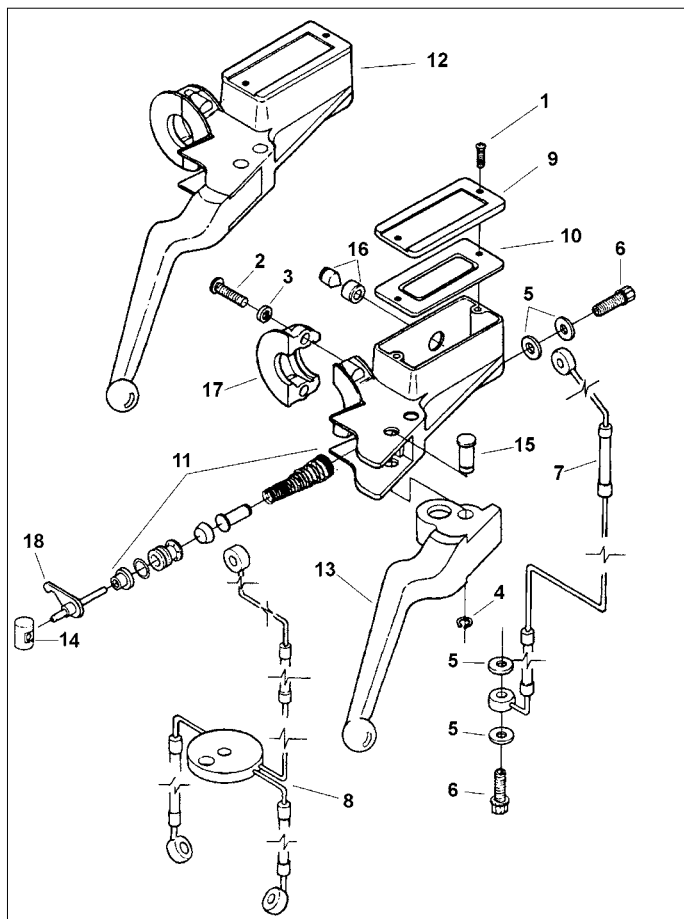
Fits all Harley models 1973-81.

2635	Acorn
5255	Cap
5358	Allen
892	Decal set

Handlebar Master Cylinder

1982-84 3/4" Master Cylinder Components

#	PCP	OEM	Description
1	24601		Chrome screw 82-* all (10 pack)
2	24509	4015	Black screw, clamp 1/4-20 x 7/8 (5)
3	12003	6099	Washer 1982-* all (10 pk)
4	11035	11143	Retaining ring all (10 pk)
5	25279	41731-82	Steel washer 1982-89 all (10 pk)
6	24028	41747-82A	Fitting 10mm
7	2290	45121-77	Lower front brake hose +4" FXE-80
	4269	45124-83	Comp. front brake hose 1983 FXSB
	4258	45121-83	Comp. front brake hose 1983 FXE-80
	4277	45127-82	Upper front brake hose 20" 1982 FXWG
8	4284	43332-82	Top hose 1982 FLT
	4285	43333-79	R/S Lower brake hose 1980-82 FLT
	4286	43334-79	L/S Lower brake hose 1980-82 FLT
9	3619	45057-82	Chrome cover all
10	25148	42455-80	Gasket 1982-84 all
11	2560	45063-82A	Repair kit 3/4" 1982-95
12	46707	45013-82B	Blk m/cylinder FLT (10mm) 1982-83
	46700	45013-82C	As above, chrome
13	2440	45064-82	Chrome hand lever 1982-95 all
14	10157	45031-82A	Pin stop switch, pushrod 1982-* all
15	10159	45032-82	Pin, hand lever 1982-95 all
16	46100	45042-82	Sight glass kit 1982-on all
17	46007	45044-82	Black clamp, master cylinder, 82-95
	46005	45044-82	Chrome clamp, master cylinder 1982-95 FXR
18	46101	45051-82	Pushrod for stop switch 1982-* all



1982-85 Front Master Cylinders

Master cylinders are available with chrome or stock black finish. 3/4" Bore is stock. Others sizes can be used but may require modifications to stock set-up.

PCP	Bore	Banjo	Finish	Description
46700	3/4"	10mm	Chrome	1982-84 DD (45013-82B)
46707	3/4"	10mm	Black	1982-84 DD
46741	3/4"	10mm	Black	1982-84 DD
2560	Rebuild kit for above 1982-85 (45063-82A)			
46702	5/8"	12mm	Chrome	1982-95 SD (45019-85A)
46703	5/8"	12mm	Black	1982-95 SD
46704	11/16"	12mm	Chrome	1985-95 (45013-85C)
46709	11/16"	10mm	Black	1985-95 (45019-85A)

1982-95 Chrome Handlebar Controls

Chrome handlebar mounted brake & clutch control assemblies with switch housing (use your OEM wiring parts). The clutch lever assembly includes both style of cable pin which will permit the use of the early style cable, as well as the latest eyelet type.

PCP	Fits
90110	Kit with 3/4" (.750") bore master cylinder for all dual disc models 1982-83
90111	With 5/8" (.625") bore master cylinder for all single disc models from 1984-95

Replacement Parts

46001	Switch housing, right top (71564-82)
46002	Switch housing, right bottom (71563-82A)
46003	Switch housing, left top (71567-82)
46004	Switch housing, left bottom (71568-82A)
46005	Lever clamp only, chrome (45044-82)
46007	Lever clamp only, black (45044-82)
46006	Clutch lever assembly with anti-rattle device (includes #46005) and necessary hardware
10165	Replacement nylon pin for eyelet style cables (45036-88) (5 pack)

Handlebar Master Cylinder Service



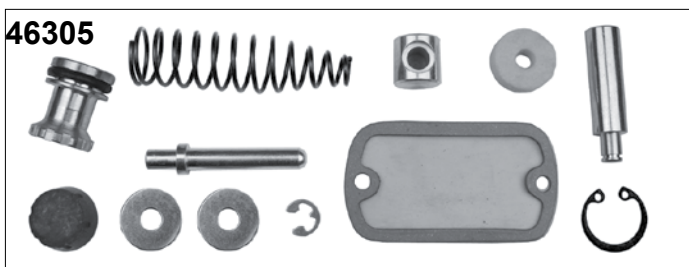
712



4389



2560



46305



2548

2387



3619

Chrome Front Master Cylinder Covers

PCP	Fitment	Style
2548	1972-81	With black emblem
2387	1982-85	Ribbed (42376-77A)
3619	1982-85 FL, FX, XL	Plain black center (45057-82)
45037	1982-84 FL, FX, XL	Billet style dual groove

45121



45221



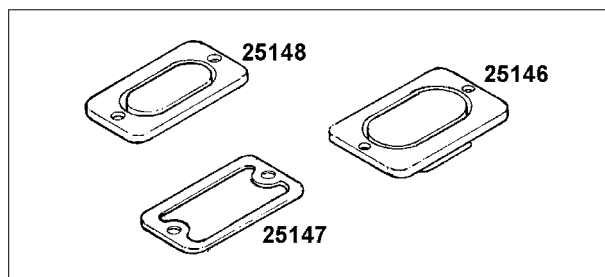
Eagle Spirit Master Cylinder Covers

Chrome	Gold	Type
45121	45221	1982-85 all front (45057-82)

Handlebar Master Cylinder Rebuild Kits

Each kit contains all parts necessary for complete rebuild.

PCP	OEM	Application
712	45063-72	1972-81 All
2560	45063-82	1982-85 w/ 3/4" Piston
46305		Rebuild and plunger kit 1972-81 FL, XL, 1972-84 FX
4389		Plunger kit 1972-81 FL, XL, 1972-84 FX
7548		GMA 3/4" bore handlebar master cylinder rebuild kit



Master Cylinder & Reservoir Top Gaskets

Front	OEM	Description
25147	45012-72	Master cylinder 1972-81 (10 pk)
25148	42455-80	Master cylinder 1982-84 (ea)
25146	45005-85	Master cylinder 1985-95 (ea)



24029

24030

Chrome Banjo Bolts and Washers

Replacement banjo bolts for OEM & PC 46700 handlebar master cylinders for models 1982-on.

24030 Fits master cylinders with 10mm brake lines

24031* Fits PC Master Cylinder 46700 ONLY

when 12mm brake lines are used on 10mm cylinder

24029 Fits master cylinders with 12mm banjo fitting

*NOTE: Allows use of 12mm lines on a master cylinder with 10mm thread



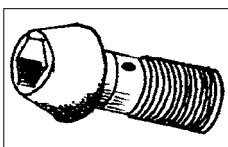
25281

25282

Allen Button Head Banjo Bolts

Sold without washers

PCP	Size
24025	3/8-24, 10mm
24026	7/16-24, 12mm

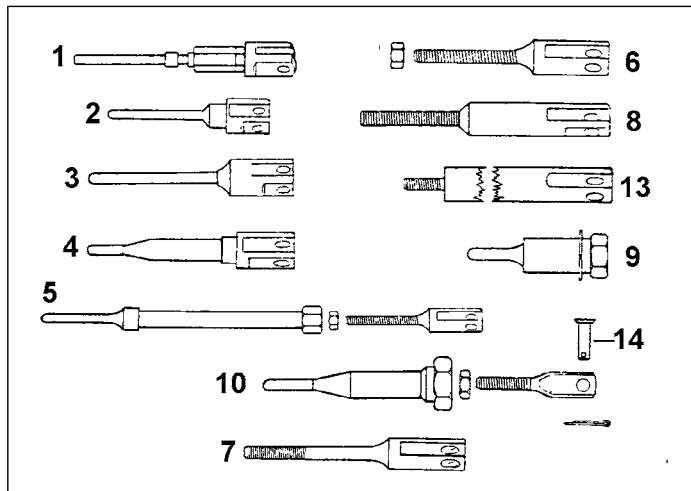


1982-on Banjo Bolt Sealing Washers

Banjo bolt sealing washers for 1982-on brake fittings found on most disc brake models. **Sold in 10 packs.**

25281	10mm for handlebar master cylinders 1982-99, dual disc models, and brake calipers 1984-on (41731-88A)
25282	12mm for handlebar master cylinders 1984-99, single disc models (41733-88)

Brake Hardware



Brake Plunger Rod and Clevis

To fit all 1958-up Big Twins.

#	PCP	Fits
1	389	Chrome 1958-69 FL (41770-58)
2	390	Chrome 1970-79 FL (42333-70)
3	2276	Chrome 1979-85 FL (42333-79)
4	3361	Chrome 1979-82 FLT (40923-79)
5	1252	Chrome 1972-E79 FX (42257-72)
	60005	Chrome 1979-82 FX (42257-79)
6	2129	Chrome 1972-82 FX clevis only (42330-72)
7	46119	Black 1983-87 FXWG clevis plunger (42522-82)
10	60006	Cadium, 1980-81 XL (42448-80)
	59089	Rod end with pin
14	10146	Clevis pin 1970-on (42269-70) (5 pack)
	10105	As above, 1958-69 (42269-30) (5 pack)



Hydraulic Brake Switch -Accel

Top quality Accel brake light switches for all Harley Twins. They feature heavy-duty contacts and quality brass terminals.

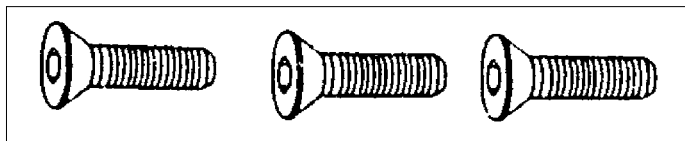
- 5673 Screw type 1951-70 (72002-51)
- 5674 Flag type 1971-07 (72023-51A)



Chrome Steel Brake Tees

Chrome inverted brake tees for custom brake line make-up.

PCP	Application
46153	Center hole inverted flare 3/8"-24 UNF, side tubes 3/8"-24 UNF, mounting hole 5/16" I.D.
46154	Center hole 1/8"-27 NPT, side tubes 3/8"-24 UNF, mounting hole 5/16" I.D.
46155	Center hole & side tubes 1/8"-27 NPT, mounting hole 5/16" I.D.



Handlebar Master Cylinder Cover Screws

Chrome tapered Allen head screws.

PCP	Description
24526	MC top, SS countersunk 1972-81 (2628) (25pk)
24601	As above, chrome (2628) (10 pk)
24547	MC top, countersunk 1982-on (2579) (10pk)
24527	Points cover 1970-78 (2622) (25 pk)
24528	Points cover 1979-on (2625) (25 pk)
24529	Reservoir cover (42534-82) (25 pk)



Zinc Master Cylinder Mounting Stud L79-84

Replaces OEM 42301-79. Stock on all 1979-84 FL. Must also be used on 1970-78 Big Twins with forward mount brake when Kelsey Hayes type master cylinder is used.

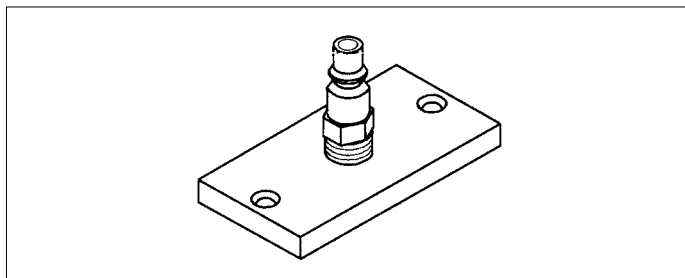
10863



Late Plunger Springs

Function as brake pedal return springs on rear mounted master cylinders. Zinc.

PCP	Application
13201	FLT 1979-on, XL 1980-84 (40920-79)
13250	FXWG 1982-86, XL 1986-E87 (40920-82)



Low Pressure Master Cylinder Bleeder Covers

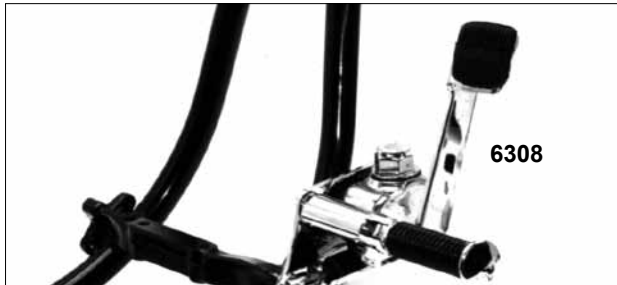
Will allow one person to bleed brake lines or to check system for leaks and can drain the entire system to replace brake fluid.

26128	Front 1972-81
26129	Front 1982-95

Brake Kits



6309



6308

FXST Style Brake Control

Late type forward controls for all 74's & 80's, 1970-on. Use on all FX, designed after the new FXST style. Places foot controls in comfortable position, same as the 1984 models. Includes rubber covered pegs, cast master cylinder, all linkage & parts necessary for installation. Replacement parts including right and left side may be ordered separately.

6308 W/Wagner type MC

6309 W/Kelsey Hayes Type MC



6315

1958-69 Forward Brake Kit

Early Type Hydraulic Brake Kit. Includes all parts illustrated, exact OEM replacement for flat side motors 1958-69, or for use on cone motors with an outside frame pipe.

6315 With chrome master cylinder



5022



6316

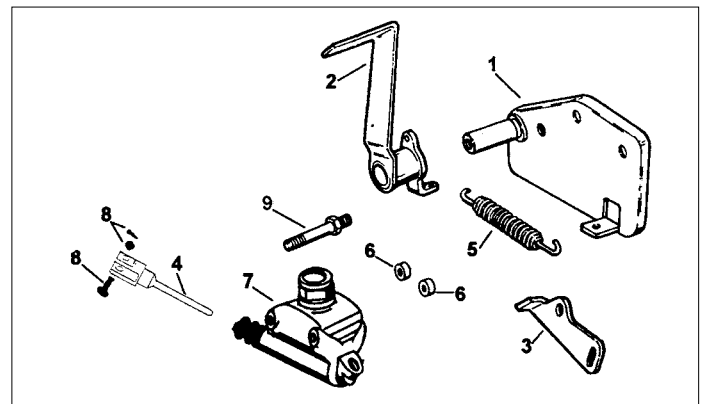
1970-on Forward Brake Kit

Our original type forward control assembly equips all 1970 and later FXE-FL-FXR-FXWG-FXST with the Kelsey-Hayes type unit (OEM 41576-79A). Backing plate features adjustment stop for pedal. Special stud for mounting master cylinder also included. Complete assembly.

6316 W/Chrome MC (Wagner) 1970-E79

6317 W/Chrome MC (Kelsey Hayes) L1979-82

On 1979-81 FX-FL stock Kelsey Hayes Unit may be used.



Chrome 1970-on FL Models

#	PCP	Description
1	2038	Pedal backing plate FLH 1970-E79 (42480-73)
	59081	Pedal backing plate FLH 1979-84 (42480-79)
2	2039	Brake pedal 1973-79 (42402-73) (Preston)
	75001	As above, Paughco
	59079	Brake pedal 1980-82 FLT (33882-79)
	59080	Brake pedal FLH L1979-84 (42402-79)
3	2041	Lever stop plate 1970-E79 (42411-70)
4	390	Master cylinder plunger 1970-E79 (42333-70)
	2276	As above, L1979-84 (42333-79)
	3361	As above, FLT 1979-82 (40923-79)
5	13207	Spring, foot lever 1958-68 (42427-58)
	13208	As above, 1969-84 (41835-69)
6	2040	Spacers 1958-79 (50668-35) (pair)
7	713	Drum master cylinder 1958-72 (41761-58) (chr)
	46799	As above, black
	2561	Master cylinder 1973-E79 (41761-78) (chrome)
	3964	"Kelsey" master cylinder L1979-84 (41754-79A)
8	10146	Clevis pin 1970-on (42269-70) (5 pack)
9	10863	Master cylinder mount stud L79-84 (42301-79)

FL 1965-72 Brake Cable Handle Assemblies

PCP	Finish
50227	Polished
50228	Chrome

Brake Pedal



FLH Brake Kit 1979-84

Includes chrome pedal, chrome plate with front floorboard bracket, plunger, spring and stud. Order master cylinder separately.

PCP	Item
90162	Chrome kit
3964	Chrome master cylinder

Chrome FX-FXE Brake Control Kit

This kit replaces the mid style transmission mount found on 1972-85 Superglide. Kit includes parts pictured. Master cylinder is not included.

PCP	Application
59072	1972-79 Wagner type
59073	L1979-82 Kelsey Hayes type
59074	1982-85 Remote type

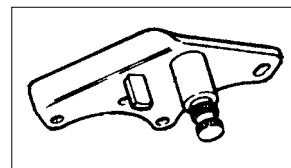


Chrome FL Rear Brake Pedal Plate

2038	1973-E79 (42480-73) (Preston)
75000	As above, Paughco
59081	L1979-84 (42480-79) (Preston)

Foot Brake Lever Bracket

Replaces OEM 50800-71B. Used on all 1972-79. Chrome plated. 2131



Master Cylinder Support Bracket

Zinc plated.

2130	FX-FXE 1972-E79 (42299-72)
59076	FX-FXE 1979-82, chrome (42299-74)
59077	1972-E79 Zinc clamp (42439-72)



Brake Pedal Pad Kit

PCP	Description
2244	Kit FLH 1965-79 (36956-65A)
4651	Black pad FLH 1965-79 (36964-67)
23037	Black pad FLT 1983-90 (42416-83)

Rear Master Cylinder Mount

3967 FXE 1982-on (42527-82)

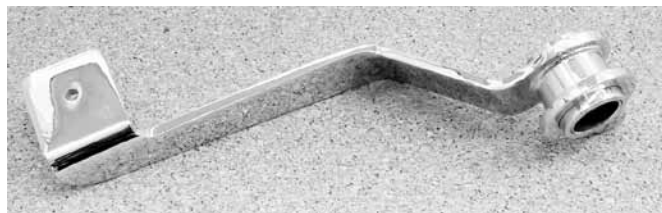


Chrome Brake Pedal Pad

Features chrome diecast backing for black rubber insert pad. These rubber pads offer a larger area that's easier to use.

46801 3 piece for 1965-84 FL, 1980-83 FLT (brake pedal not included)

Brake Pedal



FXWG-Type Brake Pedal

Chrome, for stock replacement or our kits.

PCP Type

46820 Stock 1983-99 (42515-82)

46821 FXST type pedal used in #6309, #6308 kits



46804

Extended Rear Brake Pedal

Chrome extended rear brake pedal provides better access to pedal from floorboard. Use stock pad.

46804 FLH L1979-84



10105

10146

Brake Clevis Pins

Zinc plated pins include cotter pins and washers.

PCP Application

10105 1930-69 and 1982-on, Shifter 1952-84, XL 1975-76 (42269-30)

10146 1970-81 (42269-70) (5 pack)



2448

13211

2243

Foot Brake Lever and Parts FX-FXS

PCP Description

2448 Chrome pedal FX L1972-E79 (42399-72A)

2131 Chrome plate 1972-E79 (50800-71B)

13211 Zinc spring FX 1971-78 (42425-71)

13214 Spring FX-FXE 1979-84 (42425-79)

2243 Pad all FX w/centre mount brake, black (42394-65)

11833 Pivot washer 1979-81 (42396-79)



Chrome Rear Brake Pivot Cover

This chrome-plated cover and bevelled washer were designed to cover the pivot point on the brake lever and is held in place by a sockethead screw. They install quickly and provide a finishing touch that make a difference.

45033 Fits FXWG from 1983-99

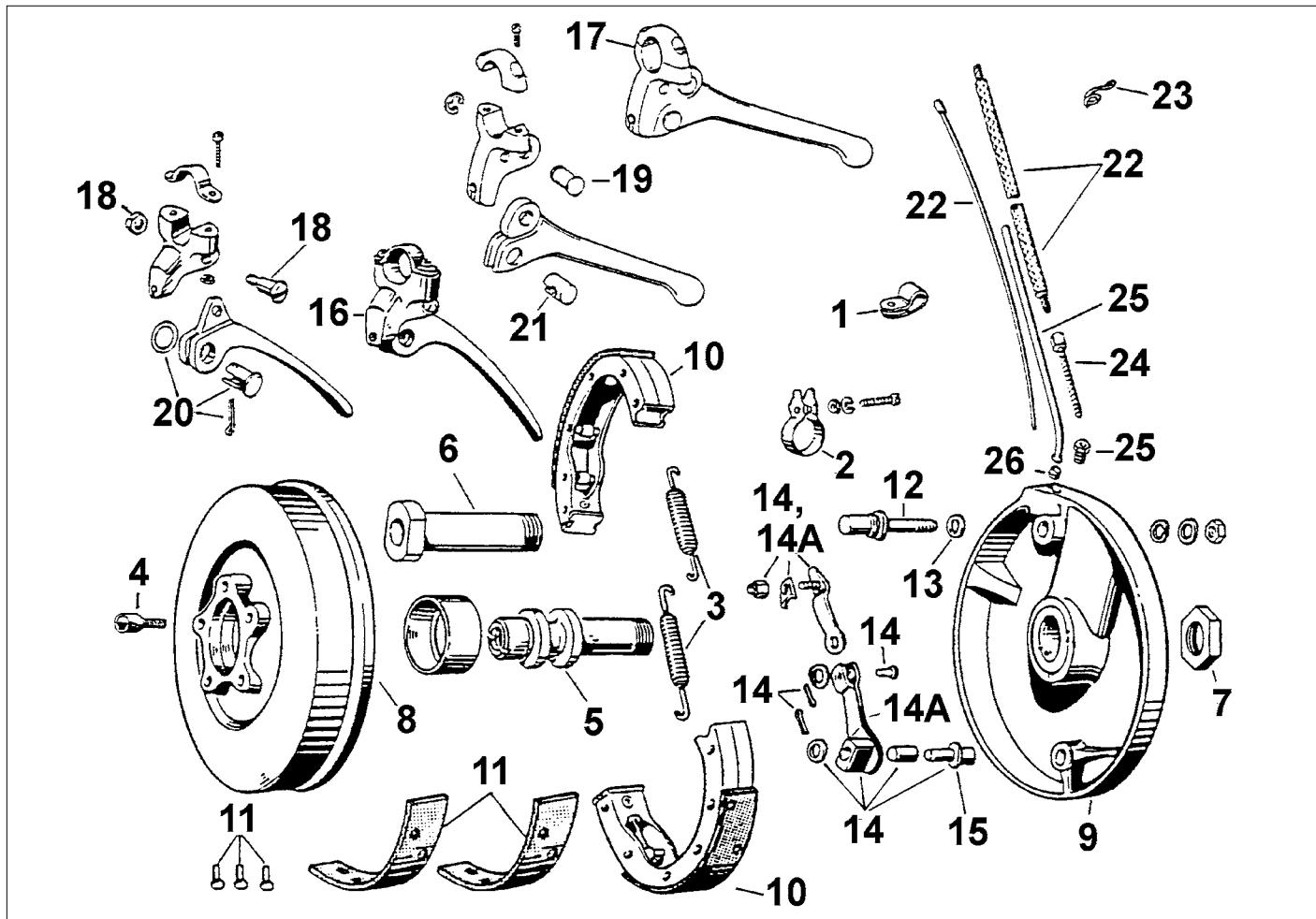


37157

NOS XL Chrome Brake Pedal

37157 XL 1980-96 (42459-80) (no linkage)

FL Front Brake 1949-71



Glide Drum Parts 1949-71

Parts listed fit left unless stated fitting as right.

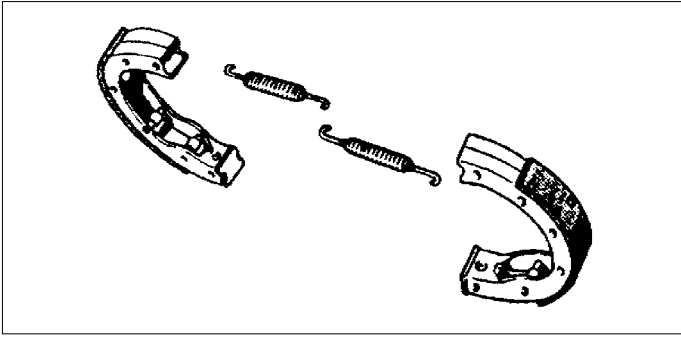
#	PCP	OEM	Description	#	PCP	OEM	Description
1	27601	9963	Cable clip (10 pack)	15	20005	44499-48	Brake cam lever stud
2	16204	9980	Black bar clip	16	50207	45002-41	Polished early lever assembly
3	13216	44484-35	Shoe springs 1936-68 (pair)		50208	45002-41C	As above, chrome
	13209	41835-69	Shoe springs 1969-71 (pair)	17	1417	45002-65	Lever assembly 1965-67
4	19227	43530-35A	Chrome lug bolts (5 pack)		3719	45002-65	As above, chrome
	19226		As above, black	18	5409	45031-41	Pivot screw 1941-64
	72466		Oversize 7/16-20, black	19	10187	4531-65	Pivot pin 1965-72 (5 pack)
5	564	43882-48	Axle sleeve 1949-66	20	10160	45033-49	Lever bushing 1949-64 (5 pack)
6	562	43882-67	Axle sleeve 1967-71	21	10163	45036-68	Lever pin & bushing 1965-72 45039-68 (5 pack)
7	12574	43886-30	Axle sleeve nut (each)	22	47410	45060-54	Cable inner 53", outer 43"
8	3353	44111-48	Chrome drum 1949-66	23	3980	45092-66	Cable guide (5 pack)
9	3359	44125-48	Polished left side plate 1949-66	24	277	45159-50	Chrome adjusting screw
	46022	44141-50C	Chrome as above	25	278	45202-50	Cable tube and nut 1949-68
	46024	44141-50B	Polished left side plate 1967-68		3981	45200-60	Cross over tube w. nut 69-71 L/S
	46025		As above, chrome		19548	45200-60	Cad as above, 14" O.A.L.
	46026	44125-69	Chrome right side plate 1969-71	26	16056	45207-49	Cable tube seat
10	283	44401-49B	Complete set of shoes 1949-72				
11	2046	44432-54	Set of linings and rivets				
12	10868	44448-48	Pivot stud				
	20006		Pivot stud kit w/biter washer and lockwasher nut				
13	3977	44454-48	Locating washer (each)				
14	3979	44490-48	Cam lever assembly kit 1949-68				
	27119	44490-69A	As above, less stud 1969-72 R/S				
	19547	45216-49	Cad front cable clamp				

Front Brake Shoe Pivot Stud Kit, FL 1949-71

Includes cad plated pivot stud (44448-48) and washer (44454-48); also parkerized flatwasher (6486), lockwasher (7055) and nut (7835). Also for Servi-car 1958-71.
72082



Brake Shoes



Brake Shoe Springs

Front (pair)

PCP	OEM	Application
13209	41835-69	FLH Glide 1969-72 XL 1952-72
13216	44484-35	Springer 74 & 80 36-57, FL Glide 1948-68

Rear (pair)

PCP	OEM	Application
13205	41835-30	74 & 80 Mechanical 1930-57
13048	41836-58	Hydraulic 1958-62
	41837-58	
13049	41836-63	Hydraulic 1963-72
	41837-63	
13209	41835-69	XL 1952-78
13049	41836-36	Side car 1958-80
	41837-36	



Brake Linings with Rivets

PCP	OEM	Width	Application
2047	41848-38	1.5"	Rear BT 1938-57, 6 hole
2046	44432-54	1"	Rear XL 1957-78, front BT 1949-72, 8 hole
19331			As above, .025 oversize
2133	41848-64		Front XL 1964-72
2049	41808-63	1-3/4"	Rear BT 1963-72, 8 hole
2048	41802-58	1-1/16"	Rear BT 1958-62, 8 hole



Brake Shoe Sets

Sets are complete with linings installed and are sold in pairs.

Rear, Mechanical

PCP	OEM	Application
283	44401-49B	XL 1954-78
240	41805-38	BT 1938-57
19334	41805-38	BT 38-57 w/original cast construction

Rear, Hydraulic

PCP	OEM	Application
244	41801-58A	FLH 1958-62
250	41801-63	FLH 1963-72

Front, Glide

PCP	OEM	Application
19337	44401-49A	FLH 1949-72
19338	41849-64	XL 1964-72

Front, Springer

PCP	OEM	Application
19340	44402-36	61, 71, 80" 1936-47

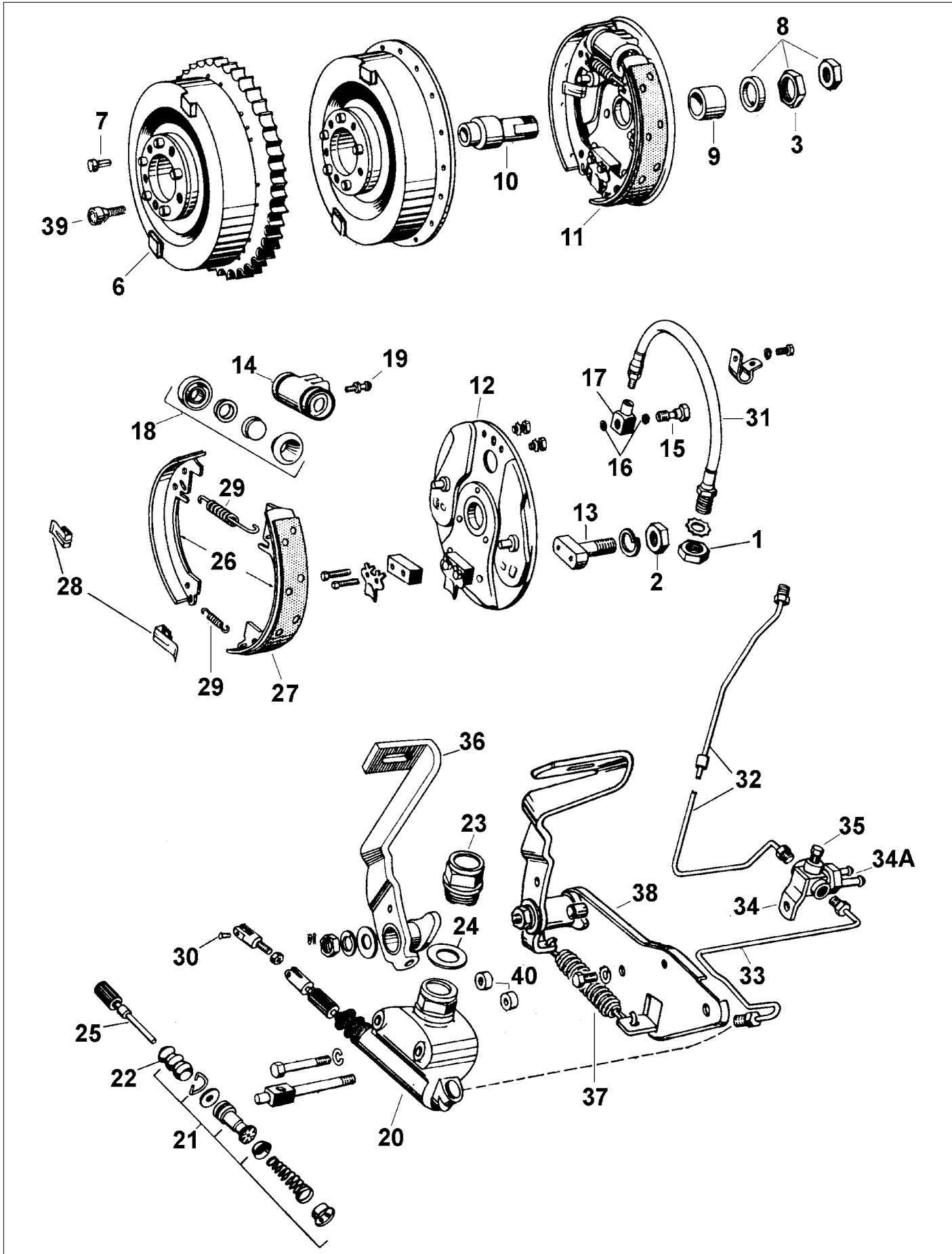


Glide Brake Backing Plate Kits

Includes brake shoes, springs, backing plate, drum, axle sleeve, nuts, mount stud and cam with lever. Available for left side 1949-69 and right side 1969-71. Chrome kit has a chrome drum and backing plate. Black kit has a black drum and polished backing plate.

PCP	Application	Finish
90135	1949-66 left	Chrome kit
90136	As above	Black kit
90138	As above	Black kit
90140	1969-71 right	Black kit
3359	1949-66 left	Polished plate only
46022	As above	Chrome plate only
46026	1969-71 right	Chrome plate only

Hydraulic Brake



1958-72 Hydraulic Drum

See Drawing on Previous Page

FL, FLH Rear Wheel Brake

#	PCP	OEM	Description	#	PCP	OEM	Description
1	12520	7988	Nut 5/8-18 x 1/4 x 1 hex 58-62	20	713	41761-58	Master Cylinder 58-72
2	4614	7993	Nut 5/8 x 18 flexlock 63-72 (pr)	21	612	41762-58	Repair kit, m/cyl 58-72
3	12525	8095A	Nut 1-20 x 3/8 x 1-3/8 hex 58-72	22	2294	41764-58	Rubber boot, m/cyl 58-on
4	2244	36956-65T	Rubber pad, brake pedal 65-on	23	2313	41765-58	Filler plug, m/cyl 58-79
5	4651	36964-67	Pad only, brake pedal 67-on	24	25140	41766-58	Washer, filler plug 58-on (10 pk)
6	74003	41400-58C	Chrome brake drum 1958-62	25	389	41770-58	Chrome plunger, m/cyl 58-69
	74008	41400-63	As above, 1963-66		390	42333-70	As above 1970-E79
	74010	41400-67	As above, 1967-72	26	244	41801-58A	Brake shoes and linings L58-62
7	10141	41425-37	Dowel pin, brake shell 37-72 (5)		250	41801-63	As above, 63-72
8	5197	41596-30	Cad collar/lock/nut kit 58-on (4pc)	27	2048	41802-58	Linings & rivets 1958-62 (set)
	555		As above in chrome		2049	41808-63	As above 1963-72 (set)
9	556	41596-58	Spacer, side plate 58-62	28	4693	41835-58	Clips, brake shoe 58-72 (pr)
	557	41596-63	As above, 63-72	29	13048	41836-58	Return springs 1958-62 (set)
10	551	41600-58	Axle sleeve 58-62		13049	41836-63	Return springs 1963-72 (set)
	552	41600-63	As above, 63-66			41837-63	
	553	41600-67	As above, 67-72	30	10105	42269-30	Pin, rear rod clevis 58-69 (5 pk)
11	74015	41646-58	Chrome plate assembly 1958-62		10146	42269-70	FL plunger pin 1970-on (5 pk)
	74016	41646-63	As above, black 1963-72	31	2564	42300-58	Rear brake hose 58-62
	74017		As above chrome 1963-72		2277	42300-63	Rear brake hose 63-72
12	74022	41650-58	Chrome side plate 1958-62	32	49000	42301-58A	Rear brake tube 58-69 cad
	74023	41650-63	Black side plate assembly 63-72		49008		Rear brake tube 1970-72 cad
13	10860	41720-58	Anchor stud 58-72		49009		As above, chrome
14	2278	41740-58	Wheel brake cylinder 58-62	33	49003	42302-58	Front tube 58-on
	28580	41740-63	As above, 63-72	34	1175	83566-51	Brake line tee 58-69
15	3978	41743-58	Bolt, wheel cylinder 58-72	34A	5673	42310-58	Switch 1958-80 screw type
16	2127	41744-58	Gasket, fitting 58-72 (10 pk)		5674	720723-51A	Switch 1971-07 flag type
17	2128	41745-58	Swivel fitting, brake cyl 58-62	35	4698	42311-58	Plug, rear brake line 58-72 (5 pk)
	3976	41750-63	As above 63-72	36	245	42402-59	Chrome brake pedal late 58-69
18	613	41748-58	Repair kit, wheel cylinder 58-62		2039	42402-73A	As above, 1973-79
19	2806	41749-58	Bleeder nipple, 1958-62 (5 pk)	37	13207	42427-58	Spring, foot lever 58-68
					13208	41835-69	As above, 1969-84
				38	246	42480-59	Foot brake lever bracket 59-69
					2038	42480-73	As above L73-E79
				39	19226	43530-35	Black wheel bolts 1936-72 (5)
					19227	43530-35	As above, chrome
				40	2040	50668-35	Spacer m/cyl stud 58-79 (pr)

Stock Brake Pedal Pad

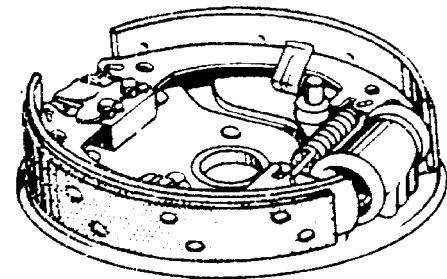
OEM replacement #36954-62. rear brake.
Fits BT 58-64 & FX 1971 & up.
1295 Black



74023



74024



Brake Drum Backing Plate

Hydraulic type has mount stud and shoe cam installed.

PCP	OEM	Description
74020	41650-37	Black, rigid 1937-57
74021		As above chrome
74022	41650-58	Chrome, hydraulic 1958-62
74023	41650-63	Black, hydraulic 1963-72
74024		As above chrome

Black Rear Master Cylinder

For BT 1958-72 drum models.

46799 41761-58



Hydraulic Backing Assembly

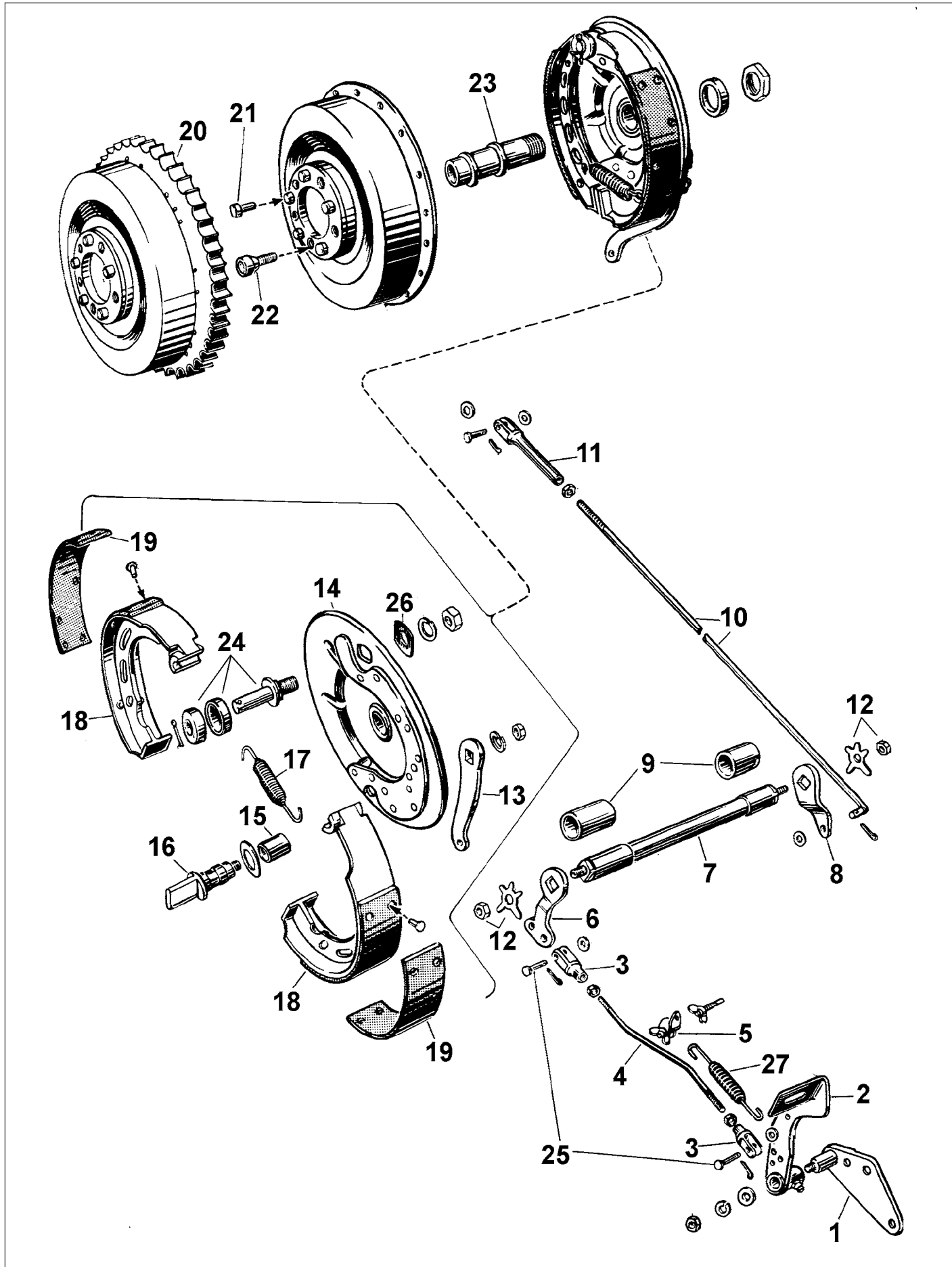
Includes chrome or black backing plate with wheel cylinder, shoe set and springs. Hose fitting and banjo bolt supplied. Cast drum and axle sets sold separately.

Assembly	Description	Drum
74014	Black 1958-62	74002
74015	Chrome 1958-62	74003
74016	Black 1963-66	74004
74017	Chrome 1963-66	74008
74016	Black 1967-72	74009
74017	Chrome 1967-72	74010

Axle Kit

43344	1958-62
43345	1963-66
43346	1967-72

BT Rigid Brake



Big Twin Rigid Brakes

See Drawing on Previous Page

Big Twin Rear Brake Parts to 1957

#	PCP	OEM	Description	#	PCP	OEM	Description
1	233	42480-36	Chrome brake pedal backing plate 1936-57	13	236	41929-36	Chrome brake lever 1936-57
2	232	42402-36	Chrome Brake pedal 1936-57	14	74020	41650-37	Black backing plate 1936-57
3	217	42333-30	HD Chrome 74 foot pedal brake rod clevis 1936-57		74021		As above, chrome
4	216	42326-37	Chrome front foot pedal brake rod 1936-57	15	18571	41685-37	Brake cam bushing 1937-57
	19516	42326-37	Parkerized, as above		18628		As above +.015
5.	19250	42280-35	Brake rod lock bracket and pin	16	1309	41671-36	Brake cam 1936-57
6.	235	42560-37	Chrome right front brake shaft lever 2 hole 1936-57	17	13205	41835-30	Brake shoe spring 1936-57
7	1366	42550-31	Mechanical brake crossover shaft 1936-57	18	240	41805-38	Brake shoes complete 1938-57
8	234	42556-36	Chrome left front brake shaft lever 1 hole 1936-57	19	2047	41848-38	Brake linings with rivets 1938-57
9	18585	47755-31	Mechanical crossover shaft bushing 1931-57	20	74000	41400-37	Black rear brake drum with sprocket 1937-57
10	218	42257-36	Chrome rear long brake rod 36-57		74001		As above chrome plated
11	219	42273-30	Chrome brake rod clevis fit 45' 1935-52 and 74's 1936-57	21	10141	41425-37	Sprocket only
12	2275		Mechanical brake crossover shaft nut & lock kit (cad)	22	19226	43530-35A	Drum dowel pins 1937-72 Set
	5242		As above, chrome	23	19227	43530-35A	Black wheel lug bolts set of 5 fits 36-72
				24	550	41600-36	As above chromed set of 5
				25	3357	41875-38	Rear left axle sleeve 1936-57
				26	10105	42269-30	BT backing plate pivot stud kit for brake shoes 1941-57
				27	4694	44475-35	Shifter & brake rod clevis pin, washer & cotter pin (5 pk)
					13212	42427-26	Pivot & stud plate biter washer
							Brake pedal return spring



Stock Brake Pedal Pad

OEM replacement #36954-62. Late model, rear brake. Fits FX 1971 & up.
1295 Black



Colony Rear Brake Shoe Pivot Stud & Cup

Parkerized reproduction of original Harley fasteners used on 1938-57 BT.
72720



Stoplight Switch

Once very hard to find and now reproduced this switch includes brake arm bracket and spring. Chrome-plated. Replaces OEM 72003-34.
2177 Chrome
19098 Black



Brake Shaft Nut and Lock Kit

This kit contains 2 cad plated special hex size nuts and 2 Parkerized locks to prevent loosening of brake cross shaft components.
2275 Cad Plated
5242 Chrome Plated



Foot Brake Lever Stud

Fits BT 1937-57 and 45 1939-73.
72316 Stock
72310 O/S to 23/32 (needs reaming)



Foot Brake Lever Stud

Fits BT Knuckle 1936-38
72315 Stock
72309 O/S to 23/32 (needs reaming)



Brake Shoe Pivot Stud

Replaces OEM #'s 41875-38 stud, 41872-38 & 41870-38 Cups. Used on all 1937-57 Big Twins.
3357



Brake Shaft Crossover Bushings-Colony

Machined bronze bushings used on 37-57 BT. Use heat treated tool for easy installation.
72711 Bushings
72712 Tool

Brake Drum



Brake Drum with Sprocket

Complete OEM replacements with riveted on sprocket. The following drums are cast iron material: 74003, 74008, 74004, 74010, 74009, 74012, 74011, 19832. The remaining drums are made from drawn steel.

PCP	OEM	Description
74000	41400-37	Black rigid 1937-57
74001	41400-37	As above, chrome
74002	41400-58	Black hydraulic 1958-62
74003*	41400-58	As above, chrome
74004*	41400-63	Black hydraulic 1963-66
74008*	41400-63	As above, chrome
74009*	41400-67	Black hydraulic 1967-72
74010*	41400-67	As above, chrome
74011*	41401-52	Black XL 1955-78
74012*	41401-52	As above, chrome

Note:* these drums are of a cast iron material (the others are made of drawn steel)



Brake Drum Dowel

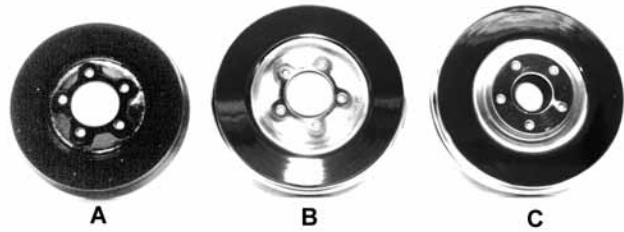
Fits all 61", 74", 80" and 45" 1937-72. Set of 5.
10141



Rear Brake Drum Kits

Feature backing plate with all components installed, including a pre-arc'd set of brake shoes to fit the drum supplied. The drum has the 51 tooth sprocket riveted on with an original style dust ring. Includes lug bolts. Axle and sleeve kit must be purchased separately.

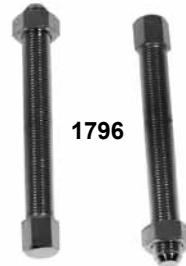
PCP	Finish
74025	Black
74026	Chrome



Front Brake Drums

Cast construction drums fit Springer and Glide models.

PCP	OEM	Description
19802	44113-36	(A) Black Springer 1936-47
19803	44113-36	(A) As above, chrome
19812	44111-48	(B) Black Glide 1948-66
3353	44111-48	(B) As above, chrome
19818	44111-67	(C) Black Glide 1967-72
19834	44111-67	(C) As above, chrome



Rear Chain Adjusters

Adjusters are heat treated, plated and sold in pairs with plated lock nuts assembled to insure properly fitting threads.

PCP	Description
5165	Cad BT 1936-72
1796	Chrome BT 1936-72

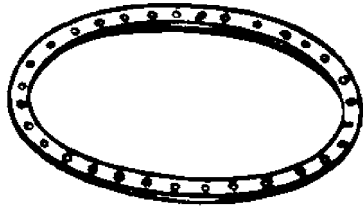


Mechanical Backing Plate Kit BT 1936-57

Includes plate, springs, shoes, cam pivot stud and plate. Arm not included.

PCP	Finish
74013	Chrome
74018	Black

Big Twin Rigid Brakes



Mechanical Brake Drum Splash Ring

Replaces OEM #41420-30. Use on all 1930-57 Big Twins. Keeps inside of brake drum clean and dry.

256



Brake Drum Wheel Mounting Socket Screws

Colony reproduction of OEM 4026-35S bolts. Hardened and parkerized oversized bolts for use on all models 1938-72. 7/16-20 thread.

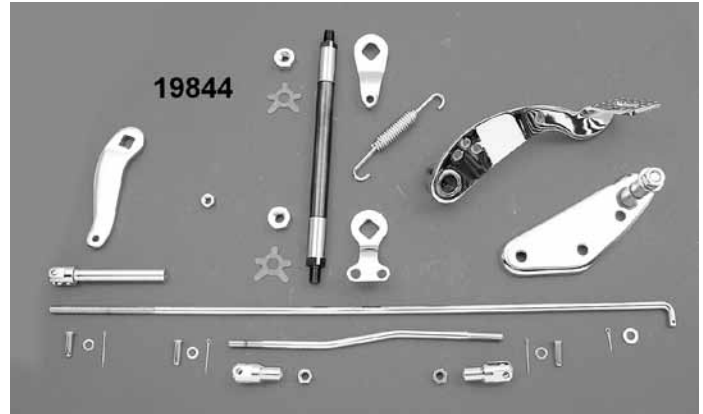
72466



Wheel Lug Wrench

Colony reproduction of original factory wrench. Use to remove or replace brake drum wheel socket screws on all 1936-72 H-D models.

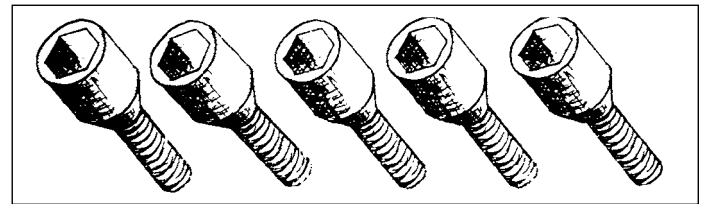
72488



Mechanical Brake Kit 1936-57

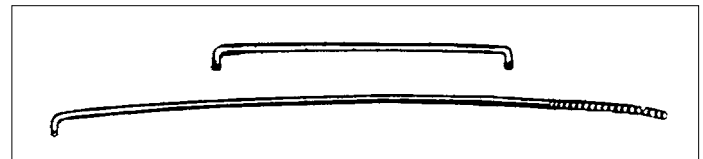
For use on mechanical brake frames with a cross shaft tube only. Can be used for restoration or for forward controls on a rigid frame.

PCP	Finish
19844	Chrome
19845	Parkerized



Wheel Lug Bolts for Brake Drums

PCP	OEM	Description
19226	43530-35A	Black BT 1936-72
19227	43530-35A	As above, chromed
19239	43531-35	Chrome BT oversize
5401		Chrome bolts and nuts XL 1952-78
5402		As above, cad



Mechanical Brake Rods

Chr.	Parker.	Application
216	19516	Front 74 & 80 1937-57 (42326-37)
218	82067	Rear 74 & 80 1936-57 (42257-36)
Clevis		
217	19525	Front all models short (42333-30)
219	19526	Rear all models long (42273-30)
10105	10108	Pin (42269-30) (5 pk)

Colony Rear Brake Rod Clevis Pin Kit

Parkerized reproduction of OEM 41692-36 wave washers and other fasteners to mount rear brake rods.

PCP	Application
72501	1930-69 BT
72537	Pins only (5 pack)

Brake Drum



19630

Wheel Cylinders

PCP Application

2278 1958-62 BT (41740-58)

28580 1963-72 BT (41740-63)

Rebuild Kits

613 1958-62 BT (41748-58)

19630 1958-on Sidecar (87752-58A)



28580



Rear Brake Anchor and Pivot Kit

Accurate reproduction of OEM 41876-54 pivot stud, 41730-52 locating block, and 41882-52 nut, used on drum rear brake 1952-72 K and XL.

9208 Cad



Foot Brake Lever and Bracket Mounting Kit

Nut, washers and bolts are duplicates of OEM hardware used on Big Twins 1936-71.

PCP Description

9732 Chrome

9733 Cad

9734 Parkerized

Cad Plated Pivot Bolt Washer and Spacer

Replaces OEM's 41882-73, 41883-73, and 41730-73. Fits 1973-78 XL with rear drum brake.

8937



3978

3976

2128

2806

PCP OEM Description

2128 41745-58 Wheel cylinder swivel fitting BT 58-62

2806 41749-58 Bleeder screw. Fits FL wheel cylinder 1958-62, FL front caliper 1972-79 FL & FX rear caliper 1973-79, FX & XL front caliper 1974-77

3976 41750-63 Brass wheel cylinder swivel fitting FL 1963-72

3978 41743-58 Wheel cylinder bolt FL 1958-72



Stoplight Switch

Once very hard to find and now reproduced, this switch includes brake arm bracket and spring. Replaces OEM# 72003-34.

2177 Chrome

19098 Black and zinc



Chrome Brake Light Switch Kit

Mechanical, pull-type brake light switch kit fits 1939-40 Knucklehead and 1941-57 FL. Replaces OEM# 72003-34. Order mounting kit separately.

19197

Brake Hoses

Front XL Models				
XLCH, XLH				
PCP	OEM	Size	Year	Item
4250	45521-73	+4"	1973	Complete
2286	45521-74A	STD	74-77	Complete
XLCH				
4251	45519-77	STD	1977	Complete
4252	45519-77	+4"	1977	Complete
4254	45121-77	+4"	78-79	Complete
XL				
4251	45519-77	STD	1977	Complete
4252	45519-77	+4"	1977	Complete
49507	45121-77	+2"	78-79	Upper
4255	45123-79	STD	1980	Upper
4258	45121-83	STD	1983	Complete
4259	45121-84	STD	84-85	Complete
XLS				
2290	45121-77	+4"	79-82	Lower
2288	45114-77	STD	1979	Upper
4262	45130-83	STD	1983	Complete
XLX				
4264	45122-83	STD	1983	Complete
4265	45122-84	STD	84-85	Complete
XR 1000				
4266	45132-83	STD	1983	Complete

Rear XL Models				
XL, XLCH, XLS				
PCP	OEM	Size	Year	Item
4288	42329-79	STD	1979	Hose
4289	44437-77	STD	1979	Brake tube
XL, XLS				
4290	44438-80	STD	80-81	Hose
4291	42477-80	STD	1980	Brake tube
4293	44438-82	STD	82-86	Hose
4292	42484-81	STD	81-86	Brake tube
XLX				
4293	44438-82	STD	82-86	Hose
4292	42484-81	STD	81-86	Brake tube
XR 1000				
4294	42325-77	STD	All	Hose

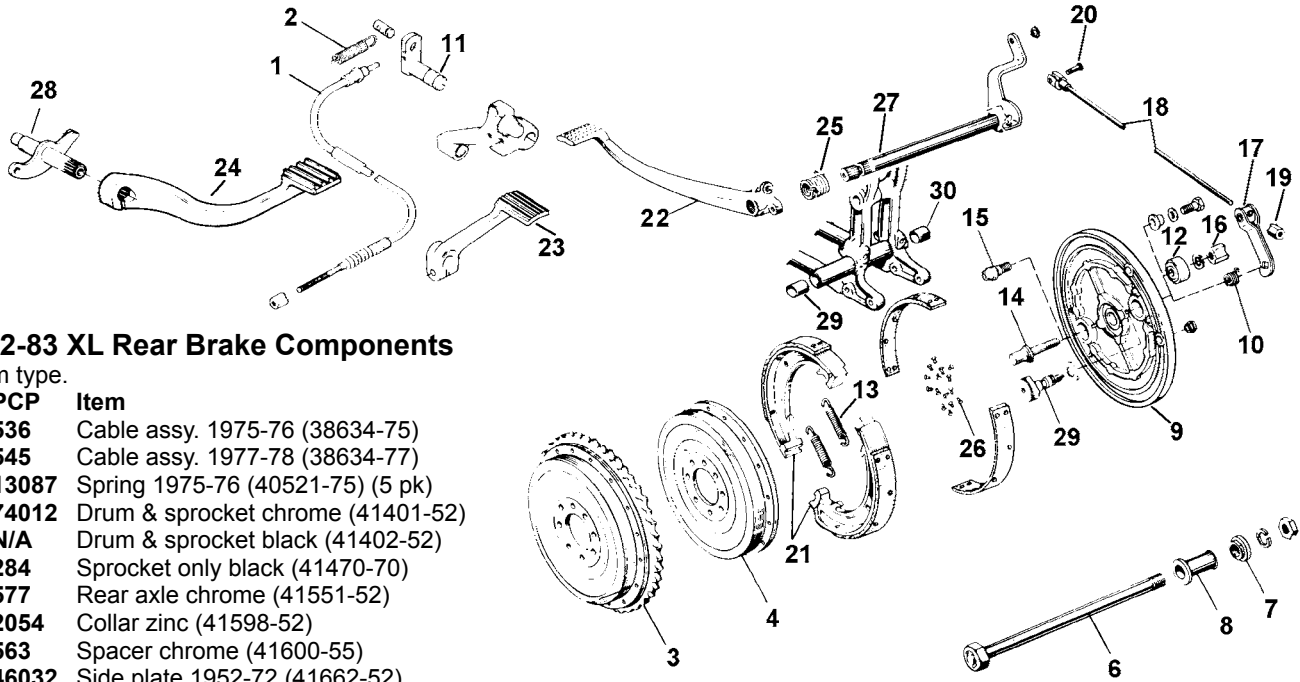
Front FL Models				
FLH				
PCP	OEM	Size	Year	Item
2283	45120-72A	STD	72-81	Complete
FLH-80				
2283	45120-72A	STD	80-81	Complete 45"
4282	42304-82	STD	82-84	Complete
FLT				
4283	43331-79	STD	80-81	Upper
4284	43332-82	STD	82	Upper
4285	43333-79	STD	80-82	Lower, right
4286	43334-79	STD	80-82	Lower, left

Rear FL Models				
FLH				
PCP	OEM	Size	Year	Item
2564	42300-58	STD	58-62	Hose
49002	42305-47	STD	58-69	Brake tube
49000	42301-58	STD	58-69	Brake tube
2277	42300-63	STD	63-72	Hose
49004	42304-70A	STD	70-72	Brake tube
49006	42303-70A	STD	71-79	Brake tube
2281	42300-73A	STD	73-E80	Hose
4303	40912-81	STD	81-83	Hose
4304	42304-79	STD	79-83	Brake tube
FLH-80				
4303	40912-81	STD	81-83	Hose
4304	42304-79	STD	81-83	Brake tube
FLHS				
2281	42300-73A	STD	81-81	Hose
FLT				
4307	40966-79	STD	80-82	Brake tube
4308	40971-83	STD	1983	Hose
FLHT				
4308	40971-83	STD	1983	Hose

Rear FX Models				
FX				
PCP	OEM	Size	Year	Item
2277	42300-63	STD	71-72	Hose
FXB				
4295	45151-78	STD	81-82	Hose
4296	45150-79	STD	81-82	Brake tube
FXE, FXE-80, FXEF, FXEF-80, FXS, FXS-80,				
4295	45151-78	STD	78-83	Hose
4296	45150-79	STD	78-83	Brake tube
FXR, FXRS, FXRT				
4299	40956-82	STD	82-E87	Hose
FXSB				
4298	42320-82	STD	83-85	Brake tube
FXWG				
2281	42300-73A	STD	80-82	Hose
4300	41004-80	STD	80-82	Tube
4301	41004-82	STD	83-86	Tube

Front FX Models				
FX				
PCP	OEM	Size	Year	Item
4250	45521-73	+4"	1973	Complete
2286	45521-74A	STD	74-76	Complete
4251	45519-77	STD	1977	Complete
4252	45519-77	+4"	1977	Complete
4254	45121-77	STD	78-81	Lower
FXB				
2290	45121-77	+4"	81-82	Lower
FXE				
4250	45521-73	+4"	1973	Complete
2286	45521-74A	STD	74-76	Complete
4251	45519-77	STD	1977	Complete
4252	45519-77	+4"	1977	Complete
4254	45121-77	+4"	78-81	Lower
4255	45123-79	STD	1980	Upper
2290	45121-77	+4"	81-82	Lower
FXE-80				
4255	45123-79	STD	1980	Upper
4254	45121-77	+4"	80-82	Lower
4258	45121-83	STD	1983	Complete
FXEF, FXEF-80				
4255	45123-79	STD	1980	Upper
4254	45121-77	+4"	80-81	Lower
2290	45123-77	+4"	1982	Lower
FXR, FXRS				
2290	45121-77	+4"	82-E83	Lower
4269	45124-83	STD	83-on	Complete
FXRT				
2290	45121-77	+4"	82-E83	Lower
4270	45128-83	STD	1983	Complete
FXS				
2288	45114-77	STD	77-78	Upper
2290	45121-77	+4"	82-E83	Lower
FXS-80				
4255	45123-79	STD	1980	Upper
2290	45121-77	+4"	82-E83	Lower
FXSB				
4269	45124-83	STD	1983	Complete
FXWG				
4276	45008-80	STD	1980	Upper
4277	45127-82	STD	1982	Upper
2290	45121-77	+4"	82-E83	Lower

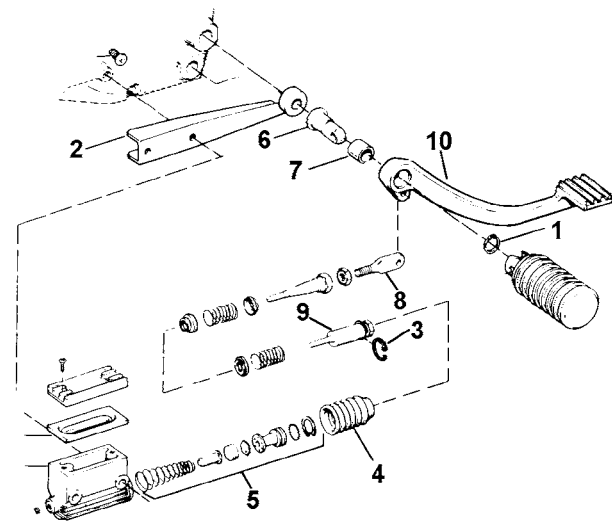
XL Rear Brake



1952-83 XL Rear Brake Components

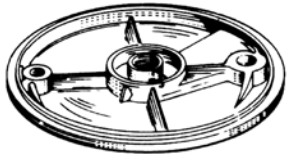
Drum type.

	PCP	Item
1	536	Cable assy. 1975-76 (38634-75)
1	545	Cable assy. 1977-78 (38634-77)
2	13087	Spring 1975-76 (40521-75) (5 pk)
3	74012	Drum & sprocket chrome (41401-52)
4	N/A	Drum & sprocket black (41402-52)
5	284	Sprocket only black (41470-70)
6	577	Rear axle chrome (41551-52)
7	2054	Collar zinc (41598-52)
8	563	Spacer chrome (41600-55)
9	46032	Side plate 1952-72 (41662-52)
9	46021	Side plate 1973-74 (41662-74A)
9	2134	Side plate 1975-78 (41662-75)
10	3365	Spring lever (41667-75) (each)
11	16537	Splined arm 1975-76 (41620-75)
12	2571	Locating block zinc 1952-72 (41730-52) (each)
13	13209	Shoe springs (41835-69) (pair)
14	10861	Pivot stud 1954-72 (41876-54)
15	10862	Pivot stud 1973-78 (41876-73)
16	12571	Stud nut 1954-72 (41882-52)
17	279	Rear lever chrome (41925-52)
18	280	Brake rod, short 1954-66 (42252-52)
18	281	Brake rod, long 1967-74 (42253-67)
19	12572	Adjuster nut 1954-78 (42264-52)
20	10105	Clevis pin 1975-76 (42269-30)
21	283	Shoe & rivet set 1954-78 (44401-49B)
22	1384	Pedal, chrome 1954-74 (42410-52)
23	1385	Pedal, chrome 1975-76 (42420-75)
24	2660	Pedal chrome 1977-79 (42410-75A)
25	13213	Return spring 1954-78 (42427-52)
26	2046	Lining set 1954-78 (44432-54A)
27	2135	Cross shaft 1954-74 (42549-52)
28	46203	Operate shaft 1977-79 (42549-75)
29	46204	Cam shaft 1954-78 (44264-54)
30	18586	Bushing 1952-74 (47757-52) (pair)



1980-87 XL Rear Brake Pedal & Components

	PCP	Application
1	11033	Pivot retainer 1980-on (11093)
2	27013	Bracket 1983-90 (34909-83)
3	11084	Retaining ring 1982-E87 (40918-82)
4	3963	Push rod boot 1980-03 (40922-79)
5	2559	Rebuild kit 1982-E87 (42374-82A)
6	10908	Pivot shaft 1980-90 (42441-80)
7	18573	Bushing 1980-on (42443-80)
8	61026	Rod end only 1980-E87 (42445-80A)
9	61027	Plunger 1982-E87 (42448-82A)
10	2661	Pedal 1980-03(42459-80B)



XLH-XLCH Brake Plate

Cast aluminum backing plate fits the following years, Sportsters 1973-78 model will not accept cable type.

Polished	Chrome	Rear Application
-	46032	1954-72 Rod (41662-54)
46021	46028	1973-74 Rod (41662-74A)
2134	46034	1975-78 Cable (41662-75)

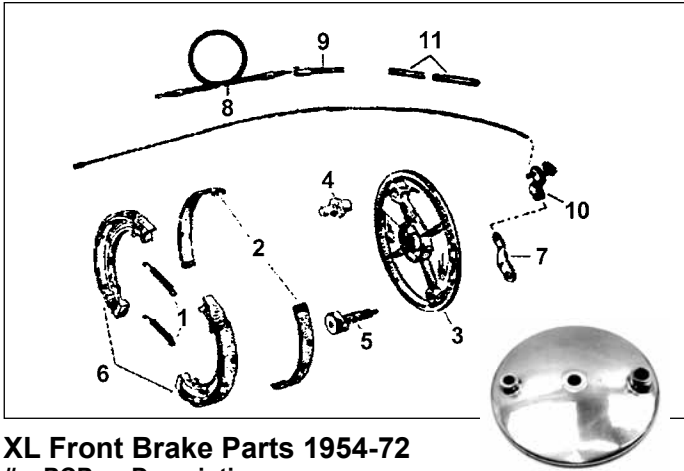
Brake Drum Bolt Kit Rear

Available in chrome or cad plating these special shouldered bolts and locknuts fit 1952-1978 Sportster rear drum.

5401	Chrome
5402	Cad



XL Rear Brake



XL Front Brake Parts 1954-72

#	PCP	Description
1	13209	Spring, brake shoe 1969-72 (41835-69)
2	2133	Brake linings and rivet set 1964-72 (41848-64)
	2046	Brake lining and rivet set 1954-63 (44432-54A)
3	N/A	Polished backing plate 1964-72 (44148-64)
4	10870	Pivot stud 1964-72 (44156-64)
	19608	Pivot stud 1952-63 (44156-52)
5	46204	Brake cam rear 1954-78 (44264-54)
	19609	Brake cam front (44264-64)
6	283	Brake shoe and lining set 1954-63 (44401-49B)
7	16264	Chrome lever (44307-52)
8	47410	Control cable assembly 1954-72 (45060-54)
9	277	Chrome adjusting screw 1954-72 (45159-50)
10	16265	Chrome clevis 1964-72 (45174-64)
11	291	Chrome front brake tube 1954-72 (45203-52)

XL Cross Shaft 1975-76

36159 42548-75



XL Brake Operating Lever

Fits pre 1972.

27110 44307-52



XL Chrome Brake Pedal

37517 XL 1980-96 (42459-80) (no linkage)
2661 XL 1980-03 (42459-80B)



Chrome Rear Brake Drum Cover

Use on 1954-78 and XLCH.

45004 Plain

74012 Chrome brake drum assembly



XL Chrome Rear Backing Plate Kit

Includes chrome backing plate, shoes, springs, cam, pivot stud and related hardware. Order rear arm separately.

PCP Years

59086 1973-74

59087 1975-78

Colony Pivot Stud

Cad plated reproduction of OEM 41876-73. For use on 1973-78 XL with rear drum brake.

72410



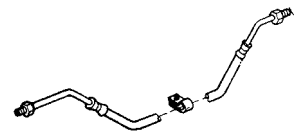
XL Rear Brake Tube

Chrome plated-line for all 1979-86 XL models.

PCP Fits

4289 1979 Only (44437-77)

4292 1981-86 (42484-81)



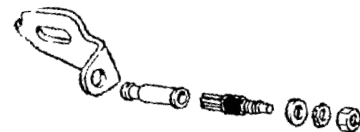
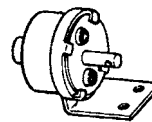
1975-76 Brake Switch

OEM Sportster type chrome replaces 72004-75 on 1975-76 mechanical brakes models, pull type.

PCP Description

17204 Switch (72004-75)

13087 Spring (40521-75)

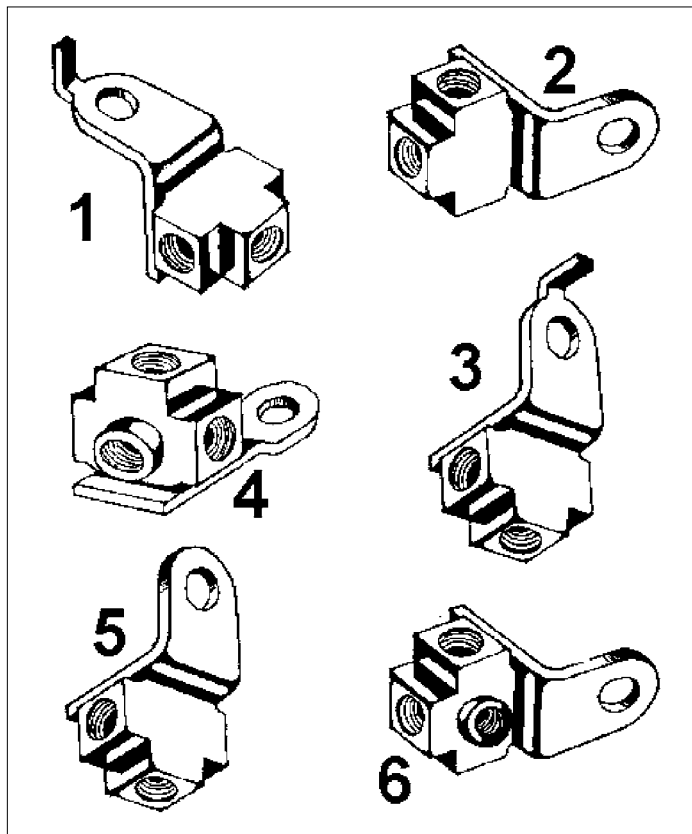


Chrome Brake Light Switch Kits

17264 Fits 1975-76, Pull type

17214 Fits 1977-78, Push type

Brake Lines/Tees



Chrome Brake Tees

Chrome plated front and rear replacement tees for all Twins.

Front

- | # | PCP | Fits |
|---|------|---|
| 1 | 3373 | FX 1978-E79, XL 1978 (43308-78) |
| 2 | 3368 | FXWG 1980-82, XL 1982, FXR 82-83 (44311-80) |
| 4 | 3375 | E1977, FX, XL L1979-81 not FXWG (44310-77) |

Rear

- | | | |
|---|------|---|
| 3 | 1175 | FL 1958-69 (83566-51) |
| 5 | 3370 | FL 1972-80 w/o Sidecar, FX L77-E79, FXWG 80-82 (42318-72) |
| 6 | 3366 | FX 1971-72, FL 1970-83 with Sidecar (42309-70) |



46150



46151

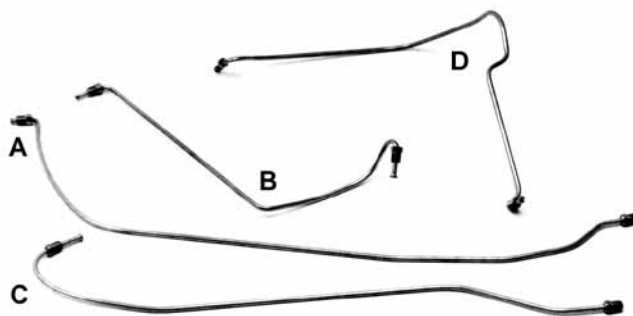


46152

Custom Brake Tees

These chrome plated custom brake tees are made from aluminum and offer a finishing touch to any brake line system.

- 46150** Front tee for 3 inverted flare lines (3/8-24)
- 46151** Custom tee with 2 inverted flare lines (3/8-24) and 1 with 1/8" NPT
- 46152** Universal tee with 1/8" NPT in all 3 holes



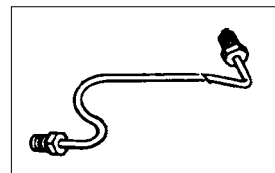
Steel Foot Brake Lines

- (A) **49000** Cad line, rear FL 1958-69 (42301-58A)
49001 Chrome line as above
- (B) **49002** Cad line, front master cylinder to tee FL 1958-69
49003 Chrome line as above (42302-58)
- (C) **49004** Cad line, rear FL 1970-72 (42304-70)
49005 Chrome as above
- (D) **49006** Cad line, master cylinder to rear tee, FL 1970-79
49007 Chrome as above (42303-70A)
49008 Cad rear brake tube 1970-72
49009 Chrome as above

Late FLH Front Brake Line

Replaces OEM 42304-79. Used on all 1979-84 FL, FLH, Classic. May also be used on all 1979-FX models converted to FL type forward mount brake.

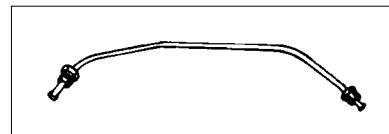
4304



XL Rear Brake Tube

Replaces OEM 44437-77. Fits all 1979 only XL's. Chrome plated.

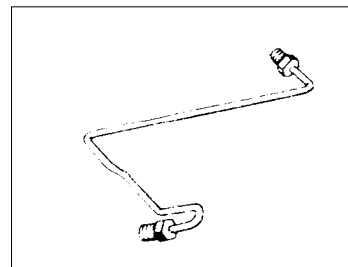
4289



FLH Front Line

Use stock replacement on 1970-79 FLH or on our forward control kits.

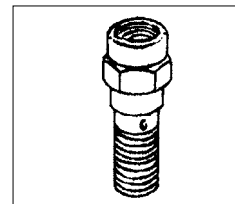
2137 (42321-71)



Russell Banjo Bolt

Bolt accepts brake light switch and eliminates the need for a junction block. Replaces standard 3/8x24 bolt. Each.

49745



Bracket Tee Plug

Replacement plug for all 1958-72 Big Twins. Replaces OEM 42311-58.

4698 5 Pack

