

Section 16A

Manuals, Bags, Lubricants



Gasoila Sealant

Available in hard setting red varnish or soft set blue/white with teflon. Red sealant is the original sealer for sealing holes on porous surfaces and for use on the inside of crank cases and cam covers. Blue-white seals threaded joints on pipe threads and fittings. Both types are insoluble in oil, gas and solvents. Sold in 1/4 pint can that includes brush.

59474 Red varnish

59475 Blue/white



45133



45134

Self Adhesive Flame Trim

45134 8" chrome (each)

45133 6" chrome (each)

91010



91012



Spectro Heavy Duty Fork Oil

Type 'E' and 'Heavy' for superior damping and long lasting lubrication with anti-foaming, anti-rust and anti-corrosion additives. It offers extreme temperature stability, minimizes fluid leakage and resists fading over a wide range of temperatures. **Sold each**

91010 Fork Oil, Type 'E', synthetic-20 weight

91012 Fork Oil, Heavy, synthetic-40 weight

Bungee Cords	3
Cycle Covers	1
Goggles	3
Locks	3
Lubricants	1
Manuals/Books.....	2
Pouches	10
Saddlebags and Supports	4-9

SUPER COVER



Dow 'Super Cover' Motorcycle Cover

Heavy weight polyester covers feature waterproof undercoating, scratch resistant, aluminized panel reinforced grommets for use with a cable or bar lock and an elastic corded hem that ensures a secure fit. PCP# 91701 and 91702 also include a flannel liner for added windshield protection.

PCP Description

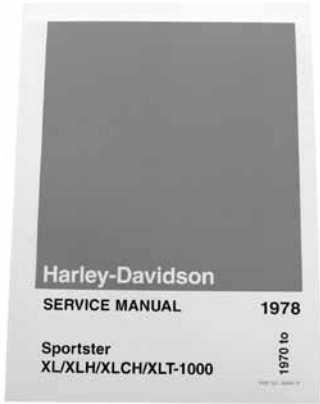
91701 Fits fully accessorized Dresser FLHT (98715-85V)

91702 Fits all Twins w/sissy bar (no Dresser) (98705-85V)

91703 Fits all models without sissy bar

91704 XX-Large size

Manuals



Panhead

PCP	Year	OEM
4472	1948-57	
4473	1958-69	99482-69

XL

PCP	Year	OEM
4471	1959-69	99484-69
4474	1970-78	99484-78
4475	1979-85	99484-85

Knucklehead/Flathead

PCP	Year
4470	1940-47

45

PCP	Year	Application
22574	1929-52	45 Engine only



Factory Service Bulletins

"Shop Dope" is the compilation of all service tips from factory to dealers for years listed. Great for trouble shooting. Bound.

4477	1930-40	Knuckle
4478	1941-65	Twins
4479	1957-69	Pan-Shovel

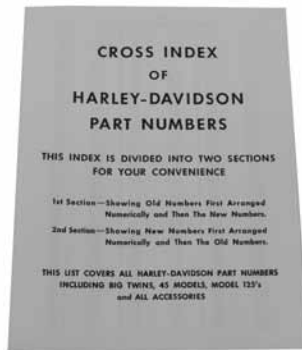


Miscellaneous

PCP	Year	Model
5907	1936-48	Knuckle & Flat BT
5905	1940-50	45 Solo
5906	1941-54	74-80, 45, Servi-Car
5900	1957	Panhead (rigid)
5908	1958-73	Servi-Car

Spare Parts Books

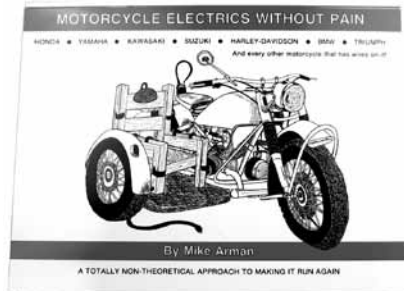
All Models detailed with exploded views and factory numbers.



Paint and Reference Book

This manual includes cross reference of new numbers to old and old to new. Also included is the paint reference 1903-1976. Book has 64 pages.

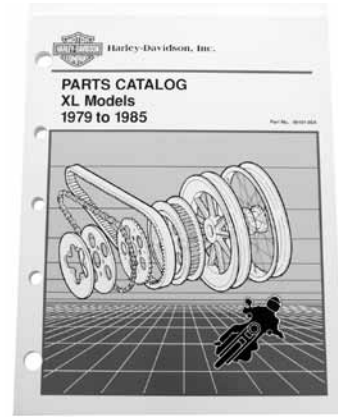
22686



Motorcycle Electrics

60 pages of photos & diagrams that make motorcycle electrics easy to understand and repair.

22501



XL

PCP	Year	OEM
5921	1979-85	99451-85A

FLH

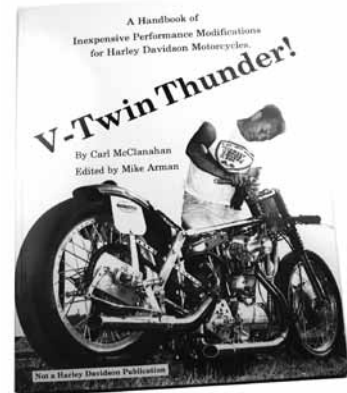
PCP	Year	OEM
5913	1980-83	99438-83B



Big Twin OHV Mechanics Guide 1941-59

80 Pages of specifications, maintenance and trouble shooting.

22500



V-Twin Thunder Book

56 pages of inexpensive performance modifications.

22502

Accessories



Metal Majic

Recommended for sealing all metal and painted surfaces, including aluminum, chrome, stainless steel, fiberglass and painted surfaces. Made with DuPont Teflon for use with all quality metal polish.

91002 Sold each



Black Bungee Cords

A plain black bungee cord to handle your tie-down needs without disrupting the appearance of your motorcycle. Sold in packs of 10.

80104 22" long with four arms

80103 24" long

80102 16" long



"Flying Tiger" Goggles

Features air vents, acrylic non-scratch one-piece lens, and cushioned head strap.

3539 Goggles



Red Baron Goggles

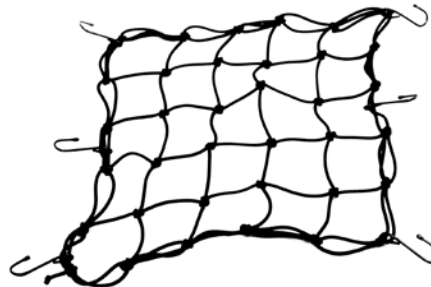
Super-popular goggles with air vents, smoke-tint acrylic non-scratch lens, adjustable band and six-position lens adjuster for custom fit.

1329 Goggles



Motorcycle Short Tie Downs

25900 Pair



Cargo Nets

Made from multi-strand natural rubber wrapped with a knitted polyethylene black cover. Each has 6 poly-coated hooks to prevent scratching.

80100 Cargo net 12" x 17"

80101 Cargo net 15" x 15"



Padlock

29400 45737-72A

29401 45721-96A



Universal Mount Helmet Lock

Designed to be installed on any 7/8" to 1-1/4" diameter tubing such as engine guards, saddlebag guards and frame tubes. Conveniently secures helmets while in restaurants, etc.

4927 45732-86



Gasgacinch Gasket Sealer

Sold as 4 oz. can.

59476

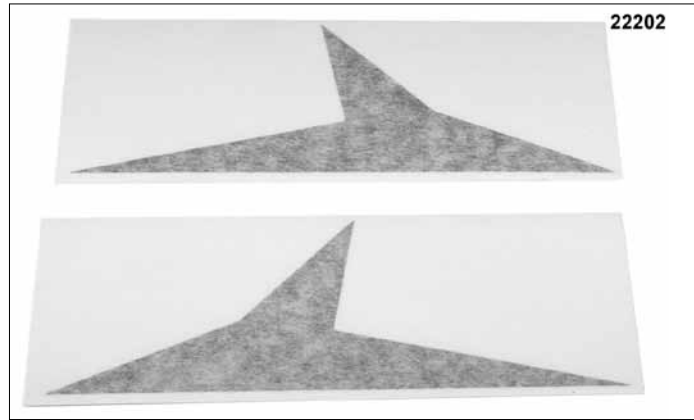
Saddlebags



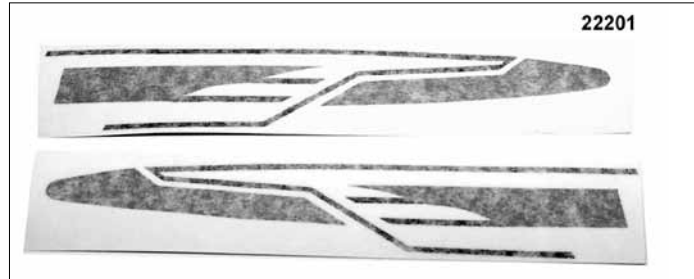
99985



99986



22202



22201

Saddlebag Medallion Transfers

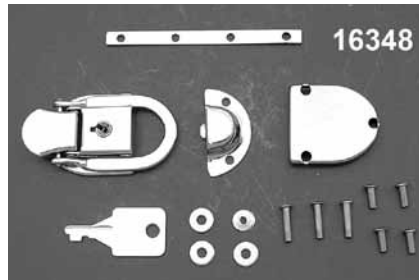
For use on early plastic bubble bags to replace painted designs. Made from pressure sensitive vinyl. Sold in pairs.

PCP	Style	Colour
22201	Rocket	Black/Red
22202	Star	Red

Replica Plastic Bubble Bag Sets

Complete bag kits include 1958-84 brackets, locks, chrome band, lids, and inner chains. Bags will fit original brackets except on BT swing arm models. Bag set only includes locks, chrome band, lids, and inner chains but does not include brackets.

PCP	Item
99987	White complete bag kit
99988	Black complete bag kit
99985	White bag set (no brackets)
99986	Black bag set (no brackets)
59568	Bracket set BT 1958-84
16348	Lock set



16348



Kargo Caddy Bracket Kit

Clamp-on bracket kit to mount caddy.

27205	Bracket kit
-------	-------------

Saddlebags



Chrome Saddlebag Mounts

Chrome mounts for all Big Twin 4 speeds from 1963-80.

PCP Description

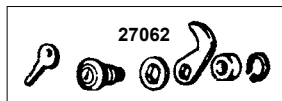
- 27496** 1963-77 FLH set (left and right side)
- 27497** 1978-84 FLH set (left and right side)
- 27134** 1978-84 FLH Right side rack (90875-63)
- 27135** 1978-84 FLH Left side rack (90877-63)
- 27136** 1963-80 FL Rear bracket (no bumper) (90989-63)



Late Style FL Saddlebag Hinge Kit 1969-92

For both sides.

- 16292** 1969-84 FLH (90746-79)



Saddlebag Lock and Key FL 1970-80

Replaces 53307-69. Sold each for 1 bag.

27062

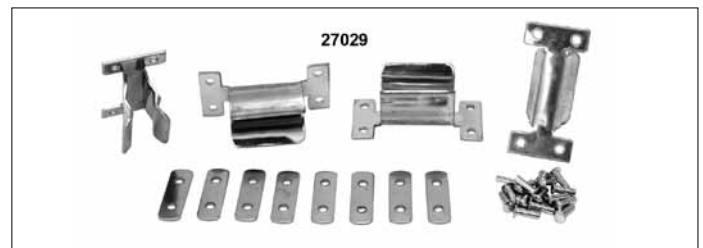
Fiberglass Saddle Bag Set

Each complete set includes left and right sides, tops, latches, keys, and mounting brackets. Saddlebag top #99983 is a direct replacement for 1970-78 models and can be used on 1979-80 models if hinge kit #16292 is used.

Bags replace 90927-63D, and 90928-63D.

White Saddlebags

PCP	Application	Finish
99980	1977-84 BT complete set	White
99978	1977-84 BT complete set	Black
99984	1958-76 BT complete set	White
99979	1958-76 BT complete set	Black
99983	Top only (90931-70) (each)	White
99977	Top only (90931-70) (each)	Black
99962	1964-84 Left side bottom (each)	White
99964	1964-84 Left side bottom (each)	Black
99963	1964-84 Right side bottom (each)	White
99965	1964-84 Right side bottom (each)	Black
23052	Rubber gasket for lid 1970-80 (each)	
16292	Hinge kit 1969-84 (90746-79)	
16347	Spacer set to fit saddlebags with luggage rack	

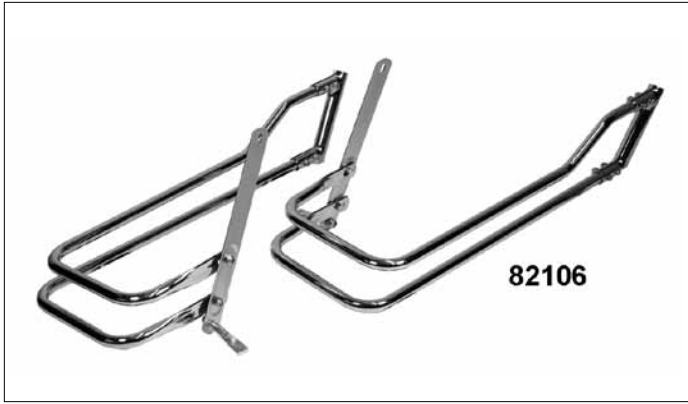


Saddlebag Hardware Kit

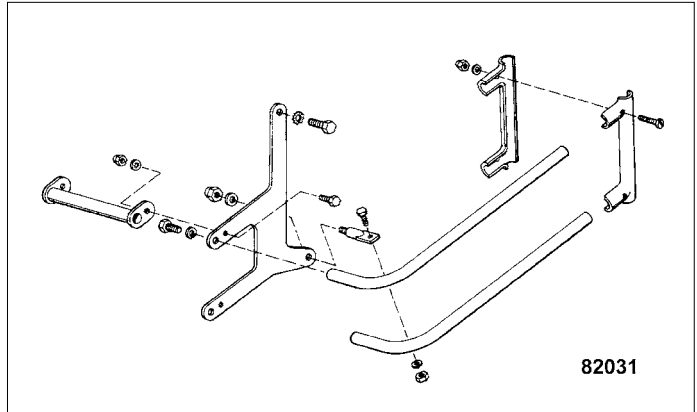
Fits both sides of 1970-80 fiberglass saddlebags, includes parts pictured with lock & keys.

- 27061** Left or right Side
- 27062** Lock and hook kit (53306-69, 53307-69)
- 27029** Lower bag clip repair kit (12 pcs)
- 23052** Rubber cover gasket 1970-80 (each)
- 16340** Lower clip, backing plate (90964-63) (10 pk)

Saddlebags



82106



82031

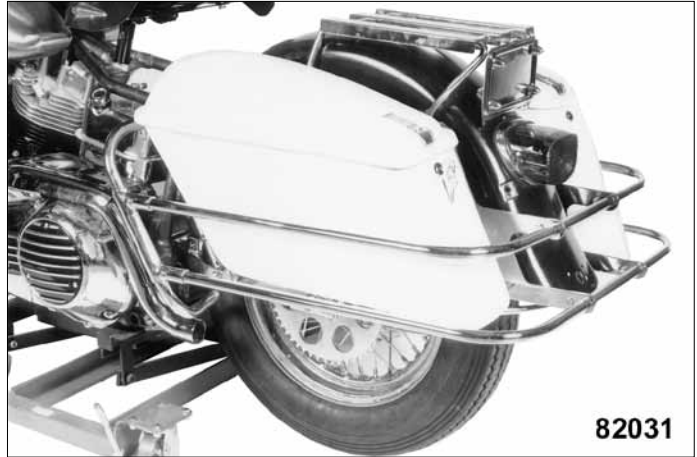
Chrome FLH Saddlebag Guard Kit

Protect FLH fiberglass bags using this left and right chrome rail set.

PCP Application

82031 FL-FLH 1968-77 (90800-68)

82106 FL-FLH 1978-84 (90800-78)



82031



82045



82046



Sportster Top Saddlebag Lid 1966-78

Small NOS top saddlebag lid (less hardware) as OEM.

29199 90934-66

FLT, FLHT Saddlebag Lids

Lids feature a primed finish and are sold each. Hardware is not included.

PCP Application

82045 Right 1979-84 (90756-79A)

82046 Left 1979-84 (90757-79A)

23054 Gasket for above 1982-92 (90633-82A) (each)

Saddlebags



99992



99993

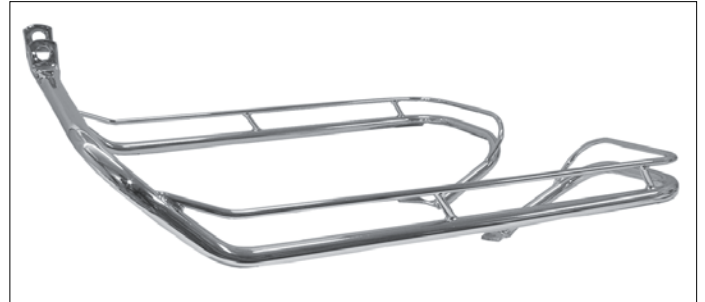
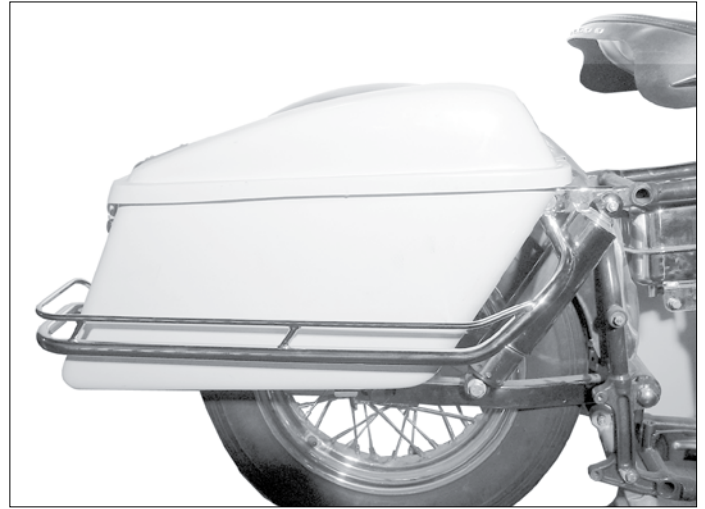
Replica FL 1963-84 Saddle Bag Set

Each saddlebag set includes left and right lowers with two tops. Brackets not included. Fits 1963-84 FL.

PCP **Finish**
99992 White
99993 Black

Fiberglass Saddlebag Rivets

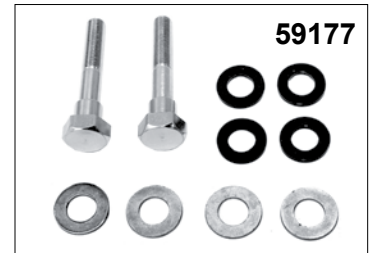
PCP **Size (1/8" length)**
10390 5/16" (90965-63) (50 pack)
10391 1/4" (90966-67) (10 pack)
10392 3/8" (90967-64) (50 pack)



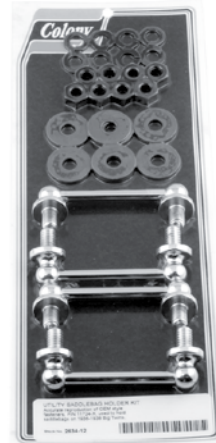
Chrome Saddlebag Rail Kit 1964-67

Kit includes right and left rails. Mount hardware kit sold separately.

90418 Complete rail kit
59177 Mount kit (zinc)



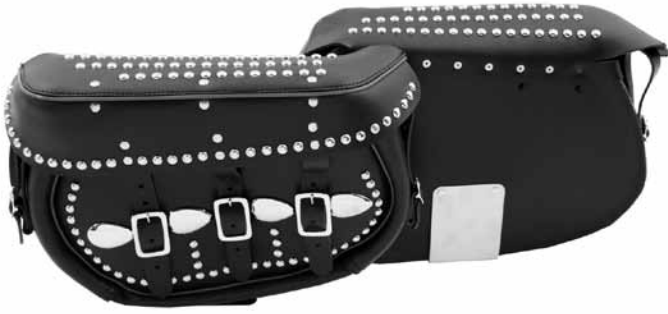
59177



Colony Utility Saddlebag Holder Kit

Accurate reproduction of OEM style fasteners (11724-X) used to hold saddlebags on 1936-38 BT.
72634

Saddlebags



Black Trim Bags

Reproductions of the 1940's style factory accessory bags feature heavy leather construction, piping and chrome spoons, spots and 3 heavy buckles. Includes stainless steel mounting plates. Rigid frame sets fit BT 1936-57. Swing sets fit 1958-76 FLH.

PCP	Year	Trim
75676	1936-57	Black
75671	1958-84	Black
75672	1958-84	Red



Leather Saddlebags

These genuine leather saddlebags feature a braided trim design, three buckle closure, metal conchos and an adjustable yoke. Measurements: 12" height, 7" depth, 16" length.

75822 Pair



Bertha Bags

Full leather construction, with fringe and 1/2" chrome spots. Measure 25"x14"x7". 1964-84 FLH fit stock fiberglass saddlebag brackets.

75667 1964-84 FLH



Leggings

Splash and weather shields which attach to front engine bar by easy velcro fasteners. Made from heavy naugahyde construction.

PCP	Application
29405	FLH 1936-84

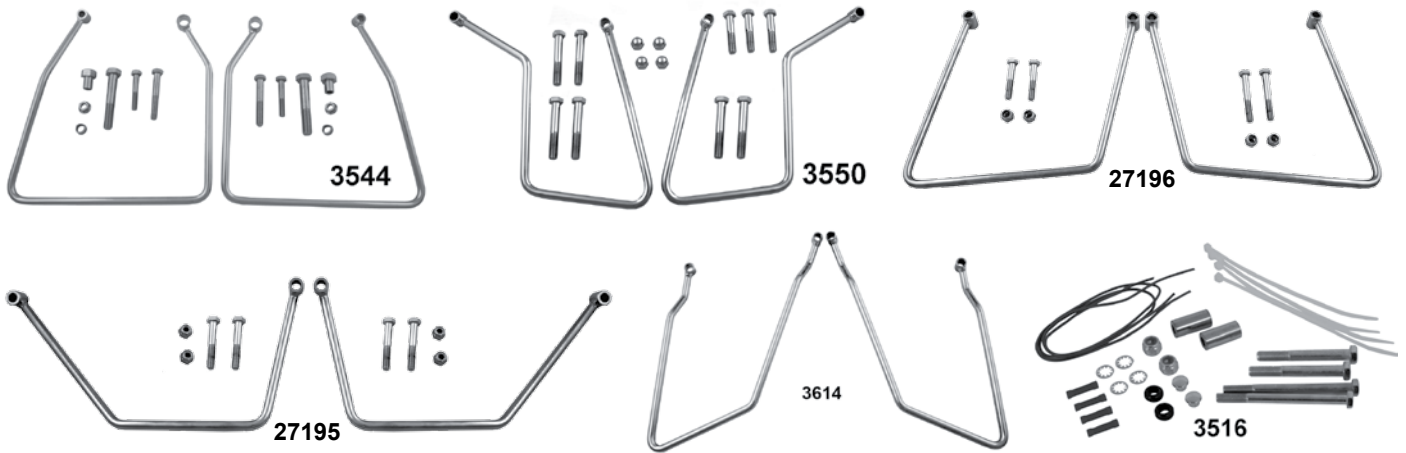


S.S. Saddlebag Spoons

Screw-in fasteners easily mount for a variety of uses. Pairs.

75652

Saddlebags



Chrome Saddlebag Supports

Designed to fit the contour of the fender struts and protect your bags from the brake caliper and swingarm.

PCP	Year	Model
3544*	1982-93	XLH 5-3/4" (90799-86)
27195	1952-78	XLH-XLCH 11-3/4"
27196	1979-81	XLH-XLCH 8", zinc
3550	1971-85	FX-FXE, FL 7-3/8" (90584-85)
3614*	1982-86	FXR 7-1/4" (90587-85A)
3516	1982-86	FXR, XL Relocation kit (90504-82)

Note: Relocation kit #3516 is required for #3544 and #3614



Loctite Saddlebags

Reproduction of original on 1946-48 models including chrome plates to fit all rigid frames. Constructed of heavy black leather with an orange rosette detail. Unique design lid keeps bags closed and in shape. (11785-43)

PCP	Application
75530	Rigid



Decorative Saddlebag and Fender Trims

These precision-stamped stainless steel trim pieces are reproductions of the 1940's and 1950's style saddlebag trims. Available in a pointed tab-mount style for easy installation on all leather goods or in a threaded stud-mount style to be mounted on the sides of fenders, fiberglass saddlebags or trunks. A beautiful 'touch of class' for any motorcycle. Fits Big Twin and Sportster® models. **Sold in pairs.**

16600	Pointed tab-mount
16601	Stud mount



Speed King Saddlebags

Recreated in black leather featuring bright speed-ball wing emblems with chrome plated angle buckles and black piping. Can be fit to 1936-57 Rigid using chromed steel mounting plates or they can be bolted directly onto 1958-84 FL. Rigid bags require PCP# 5203 mount kit.

75655

Bungee Nuts

Made of high-grade carbon steel, then chrome plated. Bungee nuts can work as a tie-down knob or an excellent spring anchor, and can be used to replace shock absorber nuts. Sold in pairs.

3570	5/16"-18
3571	3/8"-24
3572	3/8"-16



Bags & Pouches

Travelcade luggage is made of Leather Tek, a synthetic leather that is actually better than leather for motorcycles. Leather Tek is a heavy weight leathery material that is extremely durable and carefree. This remarkable material does not stain, mildew or rot and is completely waterproof. No more stiffening or cracking. Leather Tek is cleaned easily. A quick wipe with a cloth keeps these bags looking sharp!Leather Tek, cows wish they could do better.



Seat Rail Pouch (Travelcade)

Features: eagle mounted concho which enhances clean style and convenient storage. Size: 8" x 10" x 3-1/2".

75620 Classic Pouch



Seat Rail Pouch (Travelcade)

Features: classic buckles and fringe, compliments many other bags and a great companion with our classic angle bag. Size: 8" x 10" x 3-1/2".

75630 Classic Special



Concho (Travelcade)

Attaches to any existing luggage or most anything. Can be sewn, glued or riveted. Complete with tie straps. Size: Eagle 6" x 2". (Pair)

75650 Concho Mounted on Eagle



Double Strap Tool Roll

Heavy leather roll with dual strap measures 11"x3"x6" tall. **59484**



Large Leather Sissy Bar Bag

Custom mount to your sissy bar. **91700**



Leather Tool Pouch

8 oz leather, 4" x 4" x 11" wide. Secures with 2 straps. **59482**



Leather Tool Pouch

Pouch measures 11" wide and has a 5" diameter. **75821**